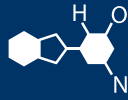


# IF YOU...



MIX IT. FILL IT. PACK IT. SHIP IT.

# WE HAVE A **PRODUCT** FOR YOU

Part # 30WCW3

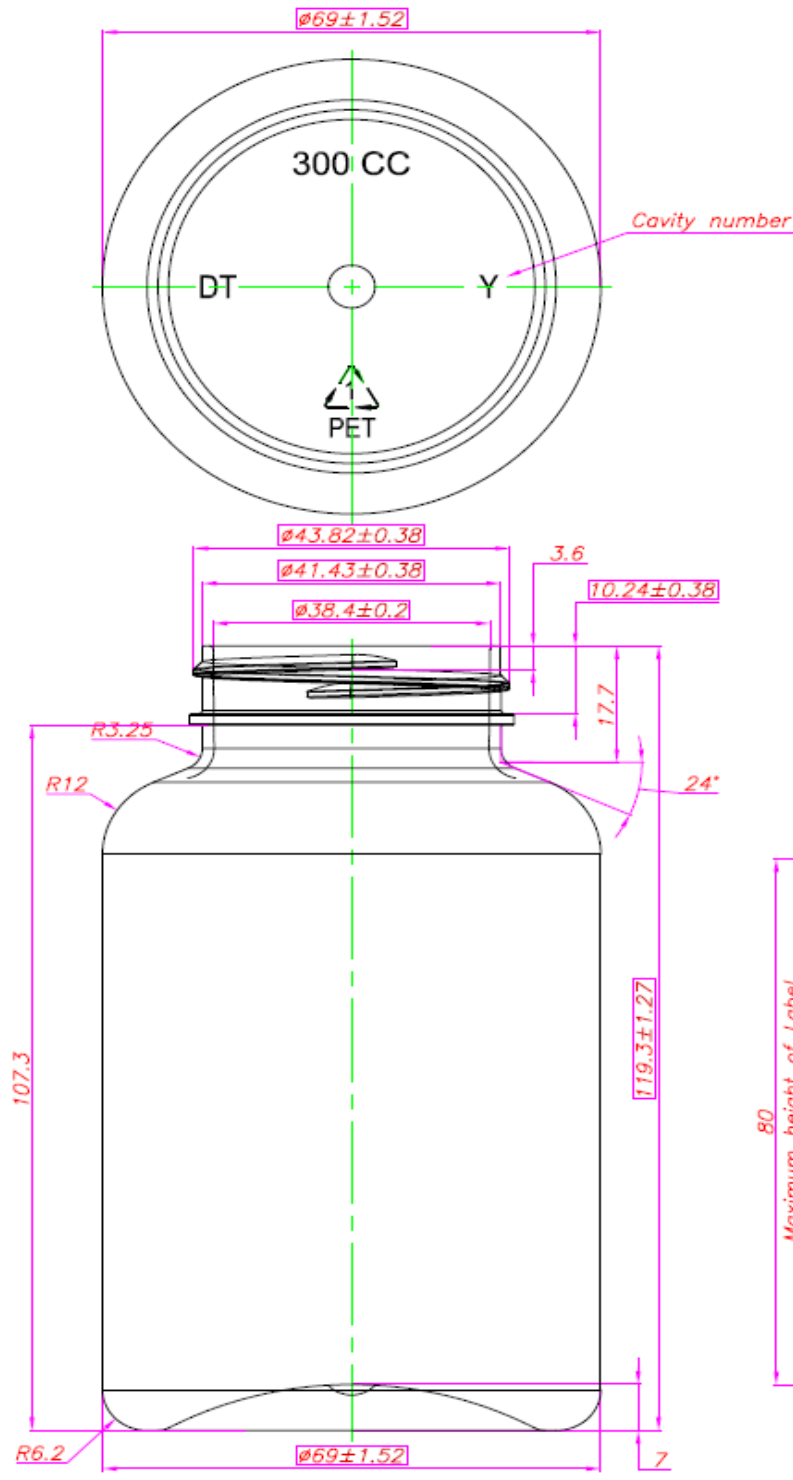
---

10 oz. (300 cc) Clear PET Plastic Packer Bottle,  
45mm 45-400

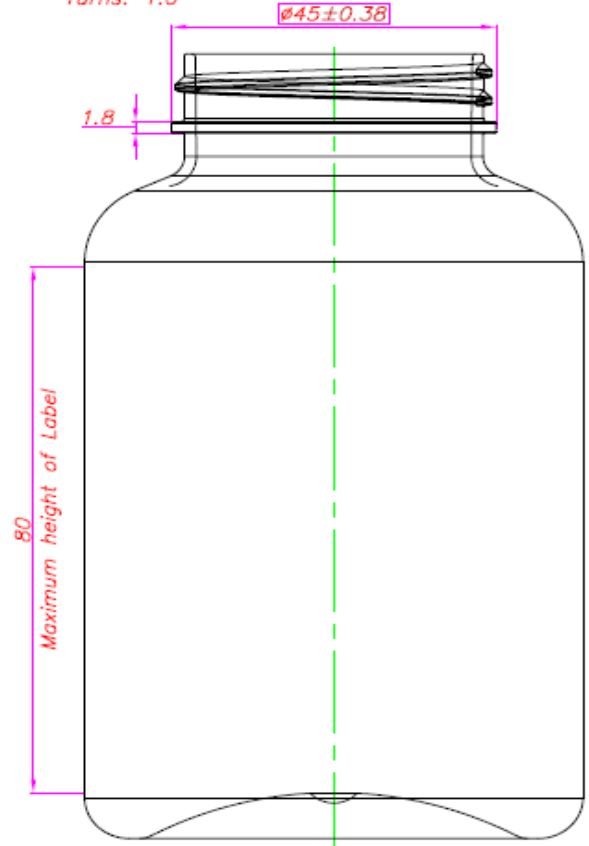
---



# 30WCW3



THREAD:  
Pitch: 4.24mm  
Turns: 1.0



Nominal Capacity	300ml	Drawn			Drawing Name	300cc	Scale
			Date	2012.09.25			
Brimful Capacity	360±9 ml	Checked			Material	PET	
			Date				
Weight	35±1.5 g	Approved			The <b>CARY</b> COMPANY Est. 1895		
			Date				