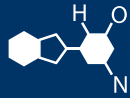


IF YOU...



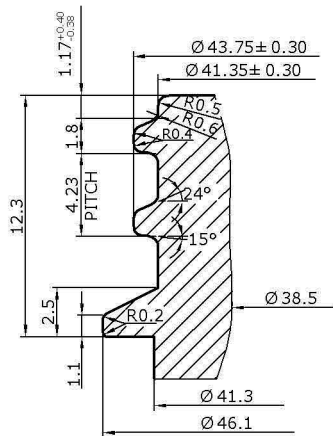
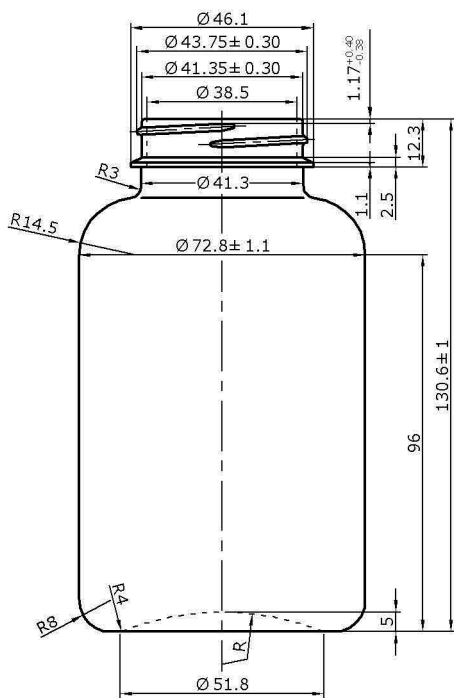
MIX IT. FILL IT. PACK IT. SHIP IT.

WE HAVE A **PRODUCT** FOR YOU

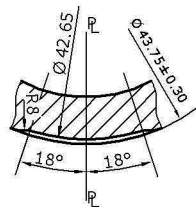
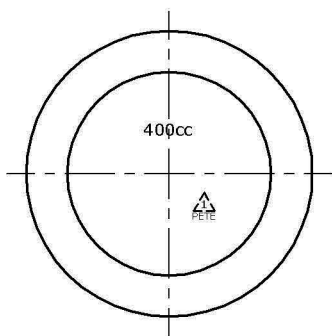
Part # 30WCW4

13.5 oz. (400 cc) Clear PET Plastic Packer
Bottle, 45mm 45-400





FINISH DETAIL
S/5:1



Thread's Detail on
Parting Line
(S=3:1)

F. P. Capacity	400ml	Drawn	Jingsheng		Drawing Name	400CC	Scale
			Date	2006-10-09			
O. F. Capacity	440 ± 10ml	Checked			Material	PET	
			Date				
Weight	37 ± 1g	Approved			The CARY COMPANY		Est. 1895
			Date				