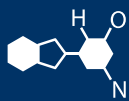


IF YOU...



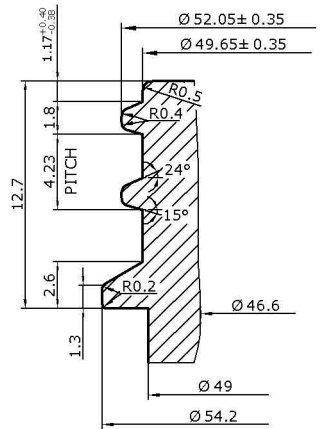
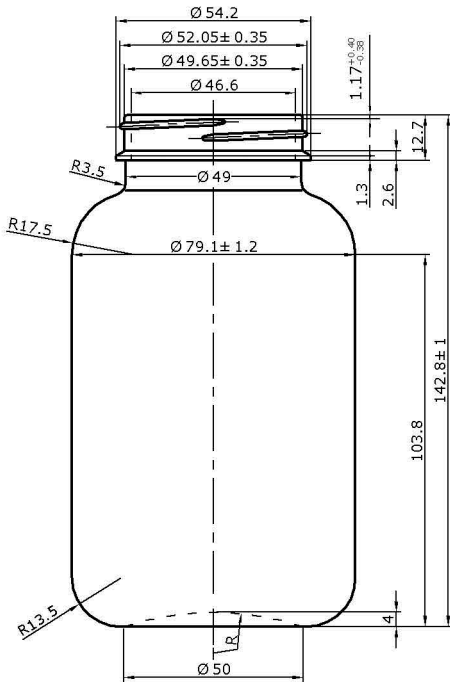
MIX IT. FILL IT. PACK IT. SHIP IT.

WE HAVE A **PRODUCT** FOR YOU

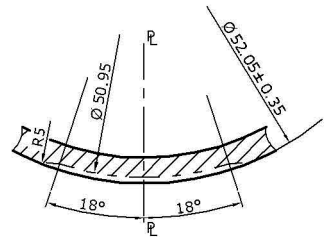
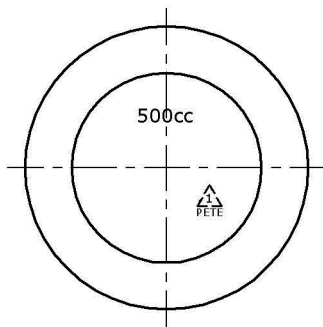
Part # 30WCW5

16 oz. (500 cc) Clear PET Plastic Packer Bottle,
53mm 53-400





FINISH DETAIL
S / 5:1



Thread's Detail on
Parting Line (S=3:1)

F. P. Capacity	500ml	Drawn	Jingsheng		Drawing Name	500CC	Series
			Date	2006-10-09			
O. F. Capacity	580± 10ml	Checked			Material	PET	2
			Date				
Weight	39± 1g	Approved			The CARY COMPANY	Est. 1895	
			Date				