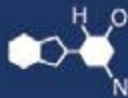


IF YOU...



MIX IT. FILL IT. PACK IT. SHIP IT.

WE HAVE A **PRODUCT** FOR YOU

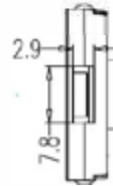
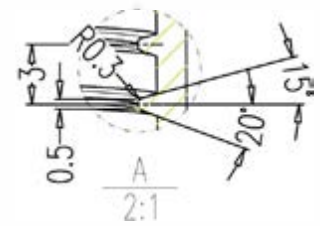
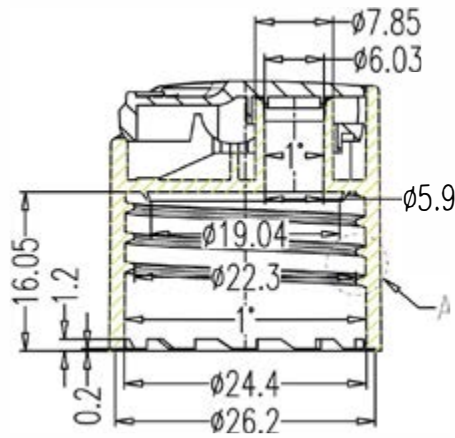
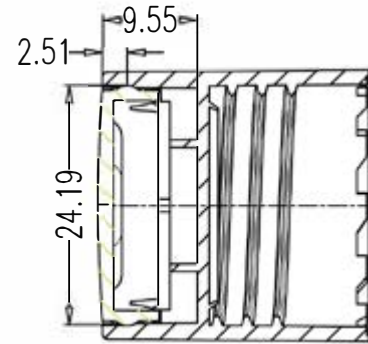
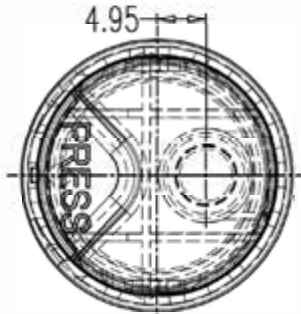
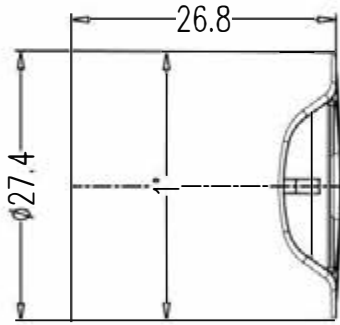
Part #: 30WD4N



The
CARYCOMPANY
Est. 1895

1195 W. Fullerton Ave. | Addison, IL 60101 | T: 630.629.6600 | F: 630.629.3690 |

24mm 24-410 Natural Smooth Disc Top Cap,
Unlined, .3" x .11" Orifice



The
CARY COMPANY
Est. 1895

PART NO	PART NAME	SIZE	MATERIAL	QUANTITY	HARDNESS	REMARK
TOLERANCES-UNLESS OTHERWISE SPECIFIED						
.X=±0.1		.XX=±0.02		ANGULAR=±0.1		DATE: 2020-04-01
				CHECK		DATE:
				APPR.		DATE:
				MATERIAL		SCALE: FIT
MOLD NO.				DRINKAGE		MACHINE SIZE:
FILE LOCATION				UNIT	MM	
PRODUCT NAME				SHEET	9 OF 9	REV. 01

30WD4N