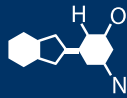


# IF YOU...



MIX IT. FILL IT. PACK IT. SHIP IT.

# WE HAVE A **PRODUCT** FOR YOU

Part #: 30WDA0

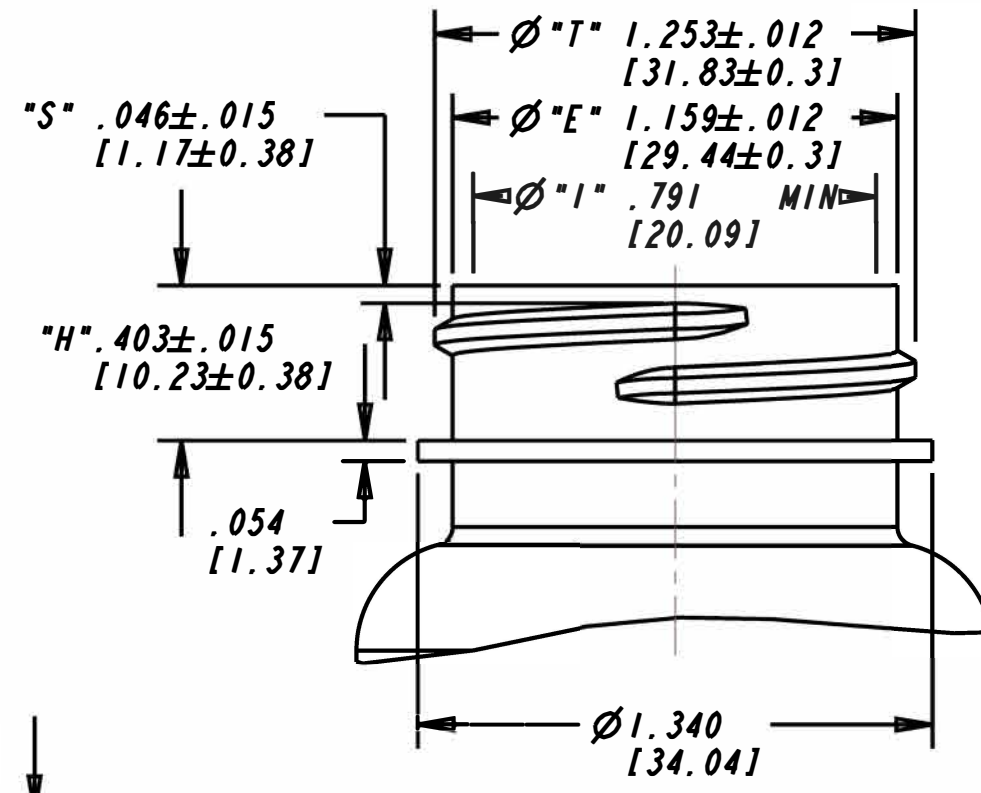
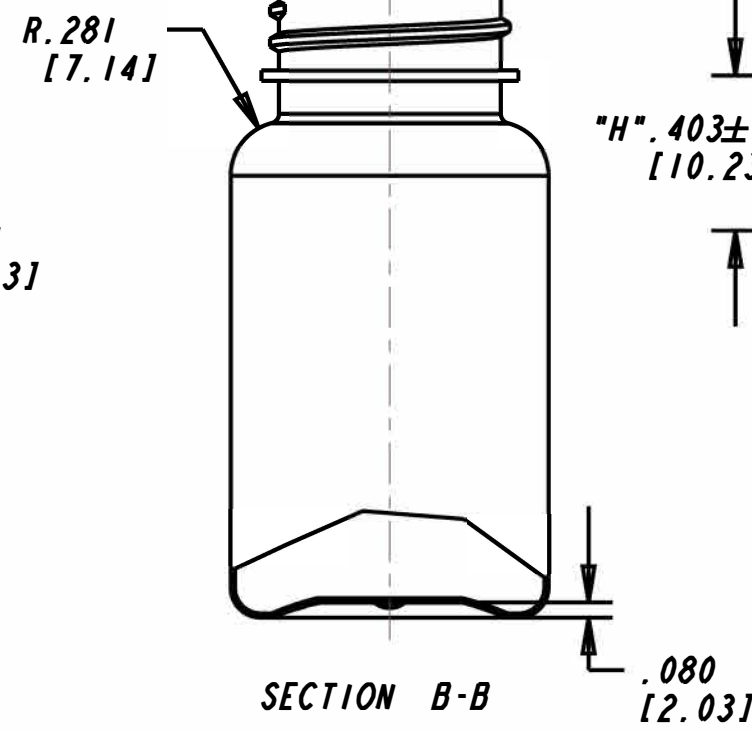
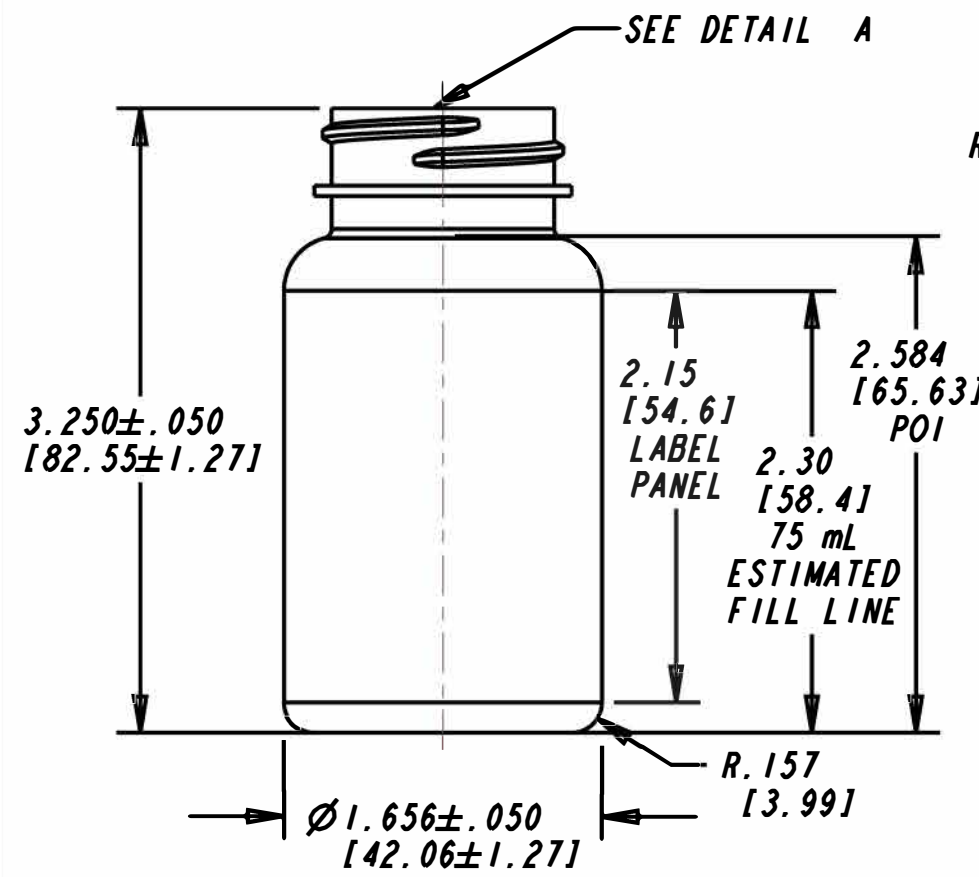
PET Plastic Bottles

2.5 oz. (75 cc) Dark Amber PET Plastic Packer Bottle,  
33mm 33-400

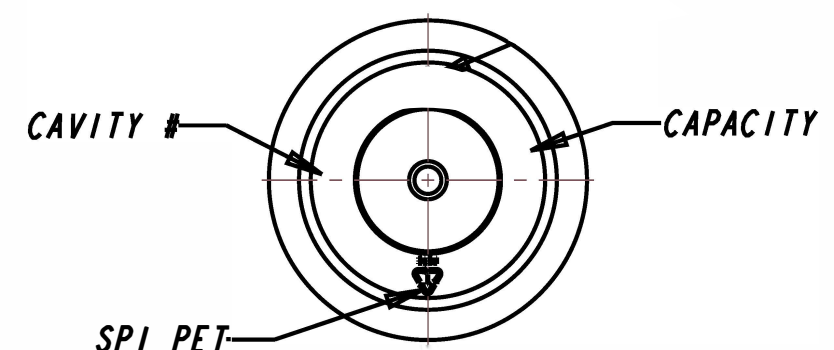


The  
**CARY**COMPANY  
Est. 1895

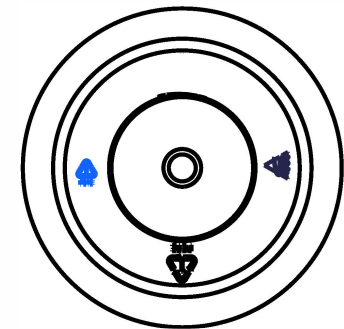
1195 W. Fullerton Ave. | Addison, IL 60101 | T: 630.629.6600 | F: 630.629.3690 | [TheCaryCompany.com](http://TheCaryCompany.com)



DETAIL A  
L33SP400 FINISH  
6 TPI, 1 TURN  
"1" DEPTH .250" MIN  
SCALE 2.000



SPI PET  
RECYCLE  
SYMBOL



ALT BOTTOM PLUG CONFIG

DISCLAIMER: The Cary Company assumes no responsibility for form, fit and function of closures, accessories, and/or shelf life and compatibility of intended contents with this bottle.

	Color	Min. Thk (in.)	Weight (g)	Overflow (mL)	Revisions		The CARY COMPANY Est. 1895			
All measurements are in inches, [mm]	All Colors	.010	11.5 ± 1	92 ± 4	A	MIN. WALL WAS .008 (ZAJ 11-24-14)	Scale:	1.000	Drawn By: RAB	Date: 18-Oct-13
					B	WEIGHT WAS 11.0 (ZAJ 12-4-14)				
Tolerance: Where not shown	NECK FINISH	L33SP400			75 CC STRAIGHT SIDED PACKER			DwgRev B		
Decimal ±0.05 [1.27] Angular ±1°	MATERIAL:	PET			Approved By:			Drawing NO:		
								P0075PKSS033A-REV B		