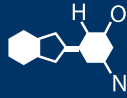


# IF YOU...



MIX IT. FILL IT. PACK IT. SHIP IT.

## WE HAVE A **PRODUCT** FOR YOU

Part #: 30WDA1

PET Plastic Bottles

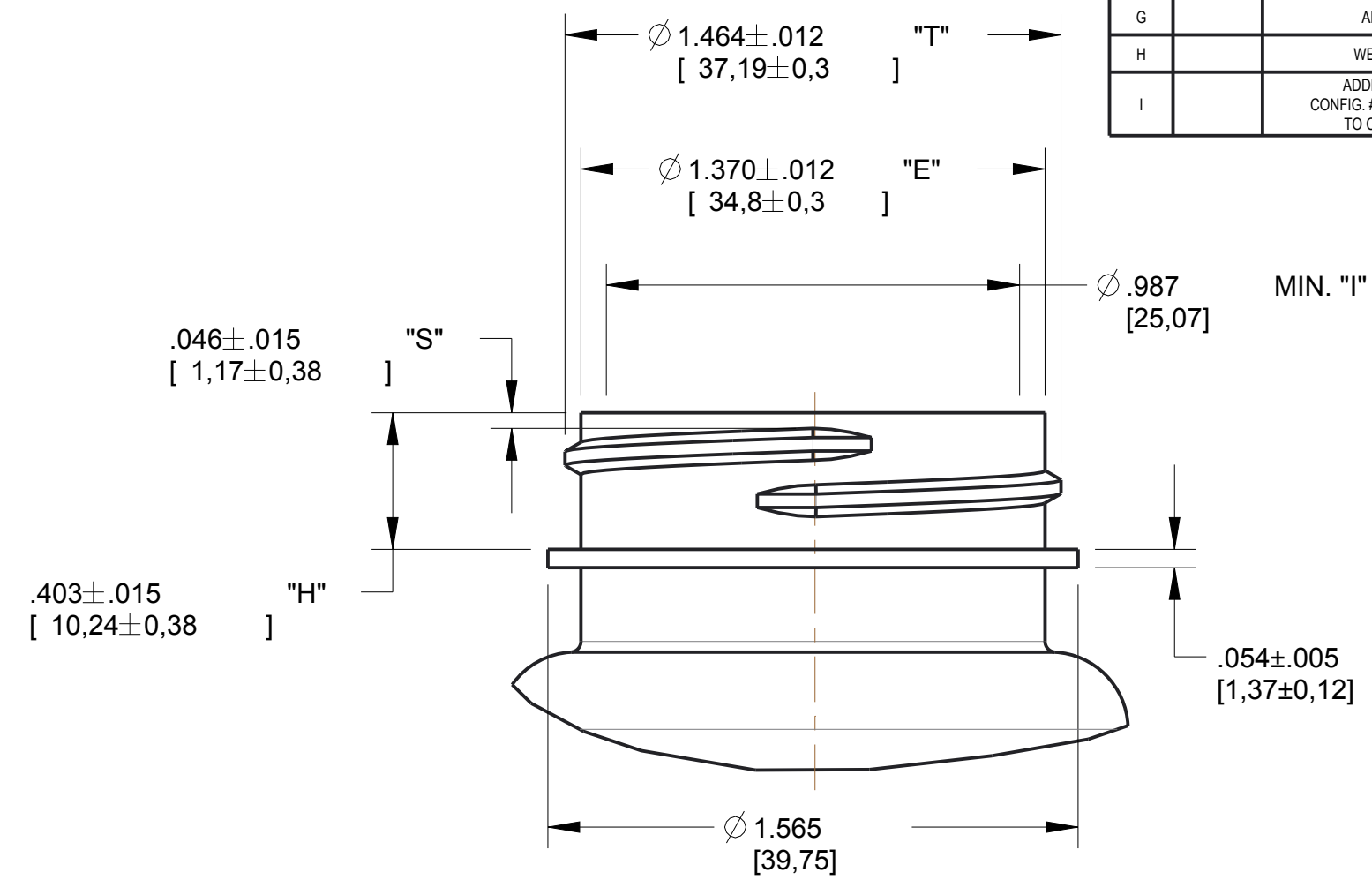
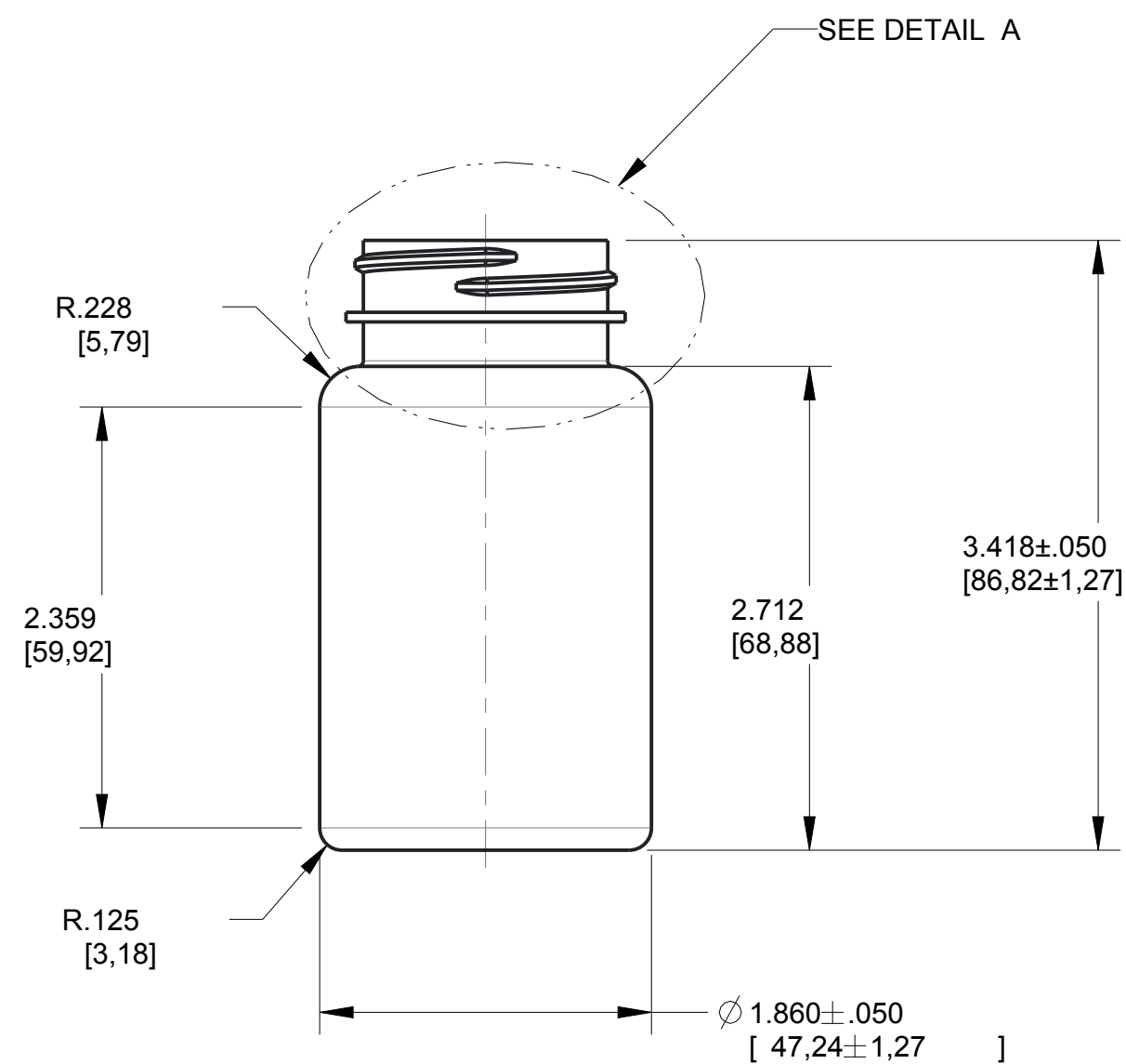
3.5 oz. (100 cc) Dark Amber PET Plastic Packer Bottle,  
38mm 38-400



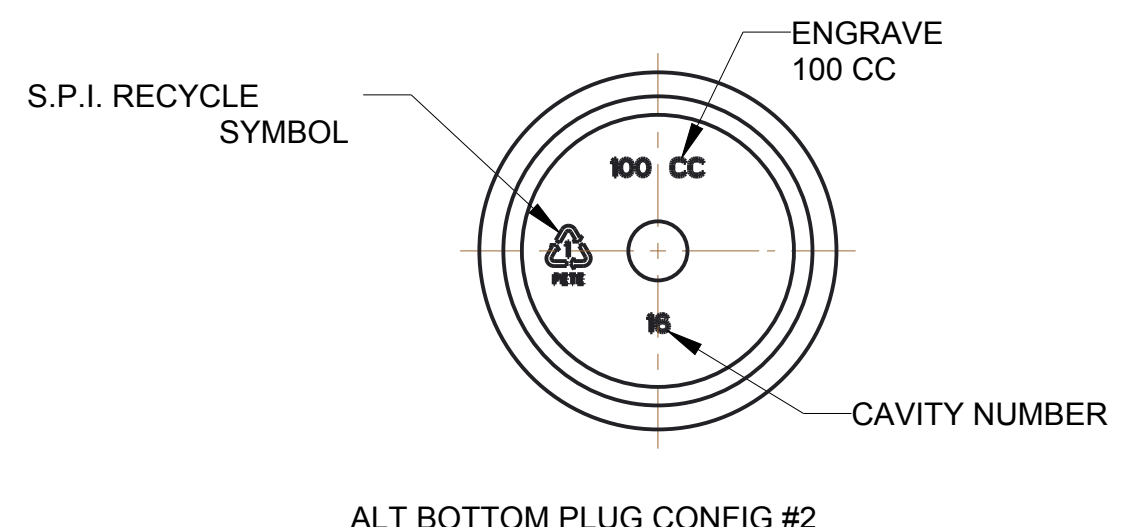
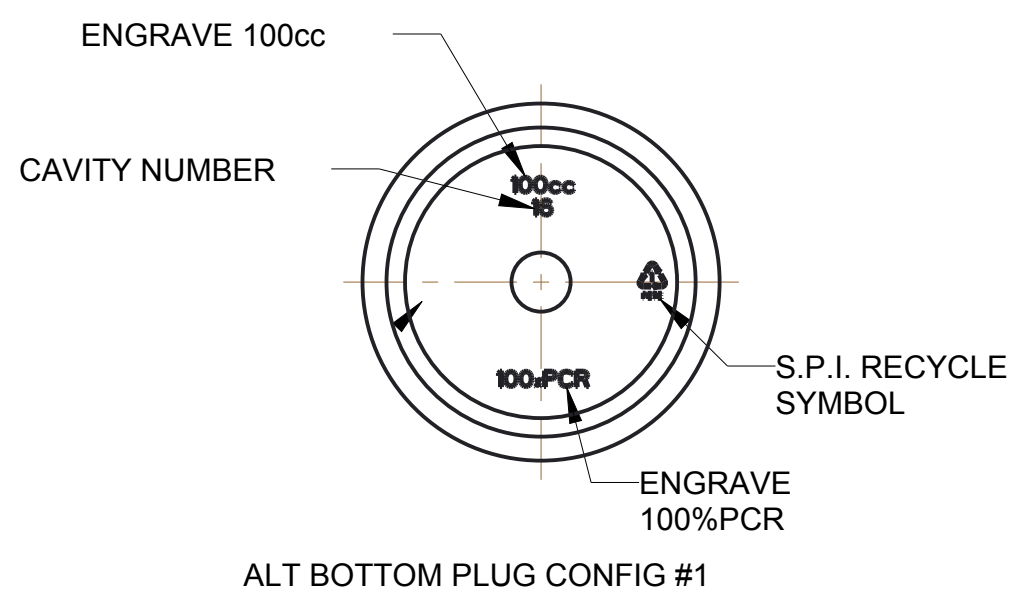
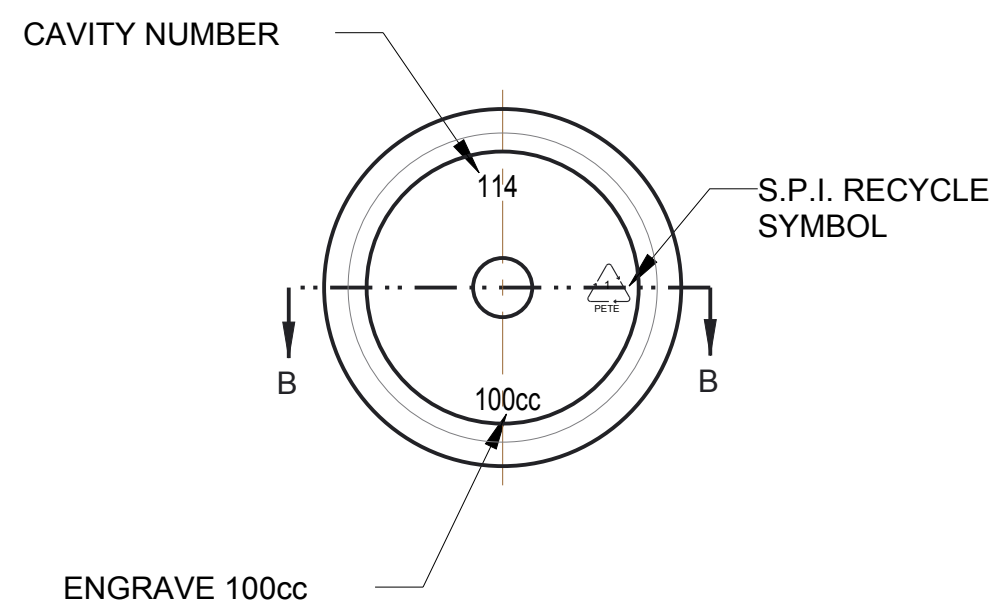
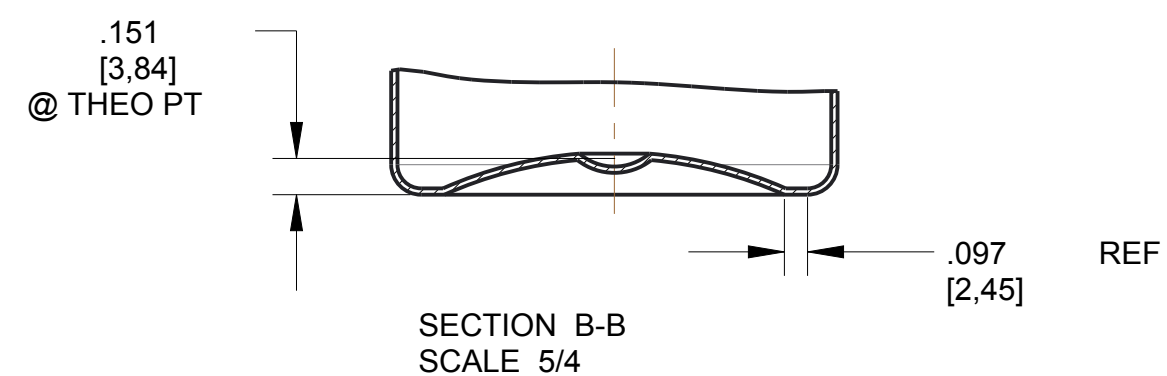
The  
**CARY**COMPANY  
Est. 1895

1195 W. Fullerton Ave. | Addison, IL 60101 | T: 630.629.6600 | F: 630.629.3690 | [TheCaryCompany.com](http://TheCaryCompany.com)

REV	E.C.N.	DESCRIPTION	BY	DATE
F		ADDED METRIC	SCT	27-APRIL-10
G		ADDED ALT. CONFIG.	SCT	04-NOV-10
H		WEIGHT WAS: 1.0g	SCT	17-SEPT-13
I		ADDED ALT. BOTTOM PLUG CONFIG. #2 AND UPDATED DRAWING TO CURRENT STANDARDS	JAZ	01-FEB-18



DETAIL A  
L38-400 NECK FINISH  
6 T.P.I., 1 THREAD TURN  
.250 MIN. "I" DEPTH  
SCALE 2/1



DISCLAIMER: The Cary Company assumes no responsibility for form, fit and function of closures, accessories, and/or shelf life and compatability of intended contents with this bottle.			
Specification General:	Min. Thk (in.)	Weight (g)	Overflow (mL)
All measurements are in inches, [mm] <small>Base engraving is subject to change location &amp; size.</small>	.010	16.0± 3.0g	124.0± 5.0cc
	.010	21.0± 3.0g	119.0± 5.0cc
	.010	24.0± 3.0g	116.0± 5.0cc
Tolerance where not shown: Decimal ±0,05 [1,27] Angular ±1°	NECK FINISH:	L38-400	
	MATERIAL:	PET	
Scale: 1/1		NPD #:	Drawn By: SCT
Date: 25-JULY-00		DwgRev: I	
Approved By:		Drawing Number: SJ 100PS1XX38L400	