

IF YOU...



MIX IT. FILL IT. PACK IT. SHIP IT.

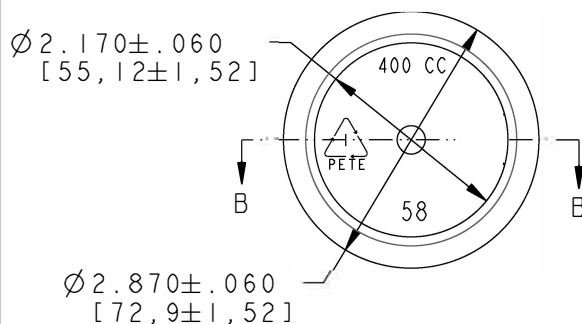
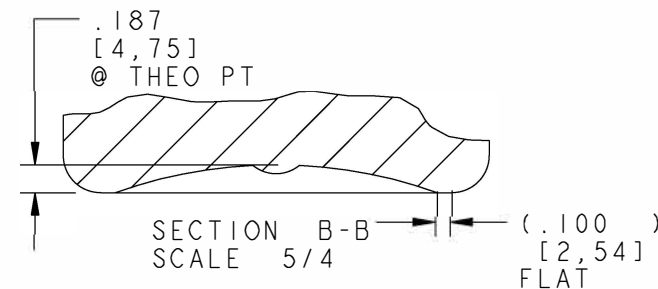
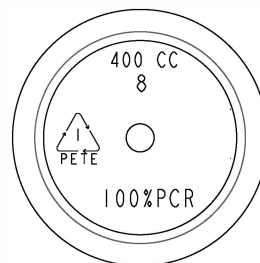
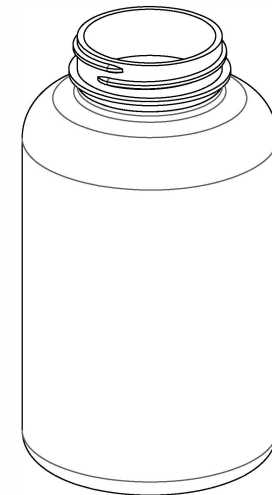
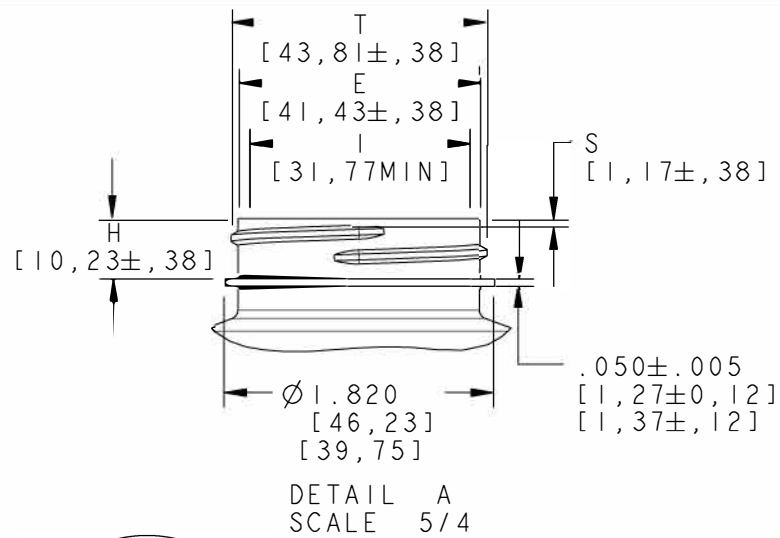
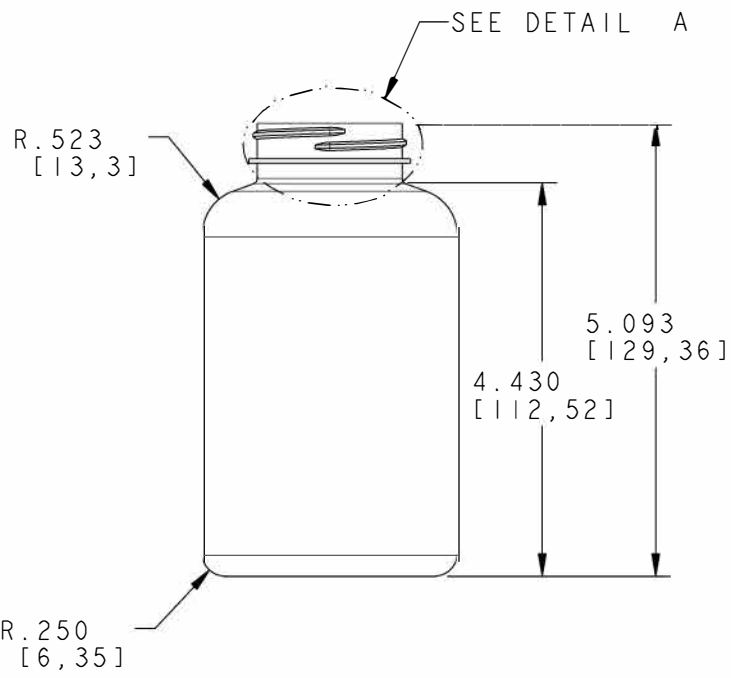
WE HAVE A PRODUCT FOR YOU

Part #: 30WDA8




The
CARYCOMPANY
Est. 1895

1195 W. Fullerton Ave. | Addison, IL 60101 | T: 630.629.6600 | F: 630.629.3690 |




 Overflow Capacity: 37.0g = 446 ml ± 11
 Overflow Capacity: 45.0g = 439 ml ± 11
 Overflow Capacity: 51.5g = 436 ml ± 11

Neck Finish: L45SP400				p y		 <small>EST. 1895</small>	
		Color	Weight	Std. Pack	Revisions		
All measurements are in inches, [Metric]	.012[.30]	All Colors	37 Gms±3	180, Stack	L	Add Alt Config. 11/4/10, sct	Scale: 3/4 Drawn By: SCT Date: 07-25-00
	.015[.38]	All Colors Heavy Gram	45 Gms±3	180, Stack	M	Gmwt tol was ±.11/13/13, sct	
	.015[.38]	All Colors Heavy Gram	51.5 Gms±3	180, Stack			
Neck Dimensions:				Tolerance: Where not shown Decimal ±0.05 [1.27] Angular ±1°		400 CC, STRAIGHT SIDED, PET, 45-400 CT 400S45PET M	
T = 1.725±.015 E = 1.631±.015 H = .403±.015 I = 1.251 MIN S = .046±.015		Overflow Capacity: See FlagNote 1		Material: PET			
						Drawing NO: 400PS1XX45L400	