

IF YOU...



MIX IT. FILL IT. PACK IT. SHIP IT.

WE HAVE A PRODUCT FOR YOU

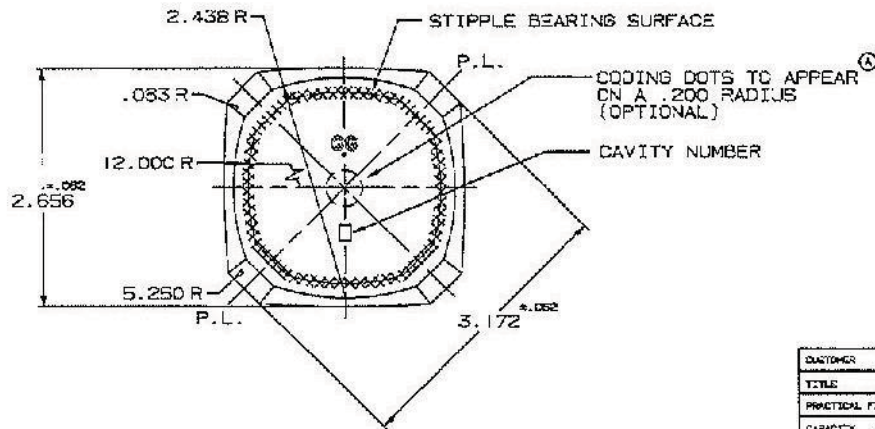
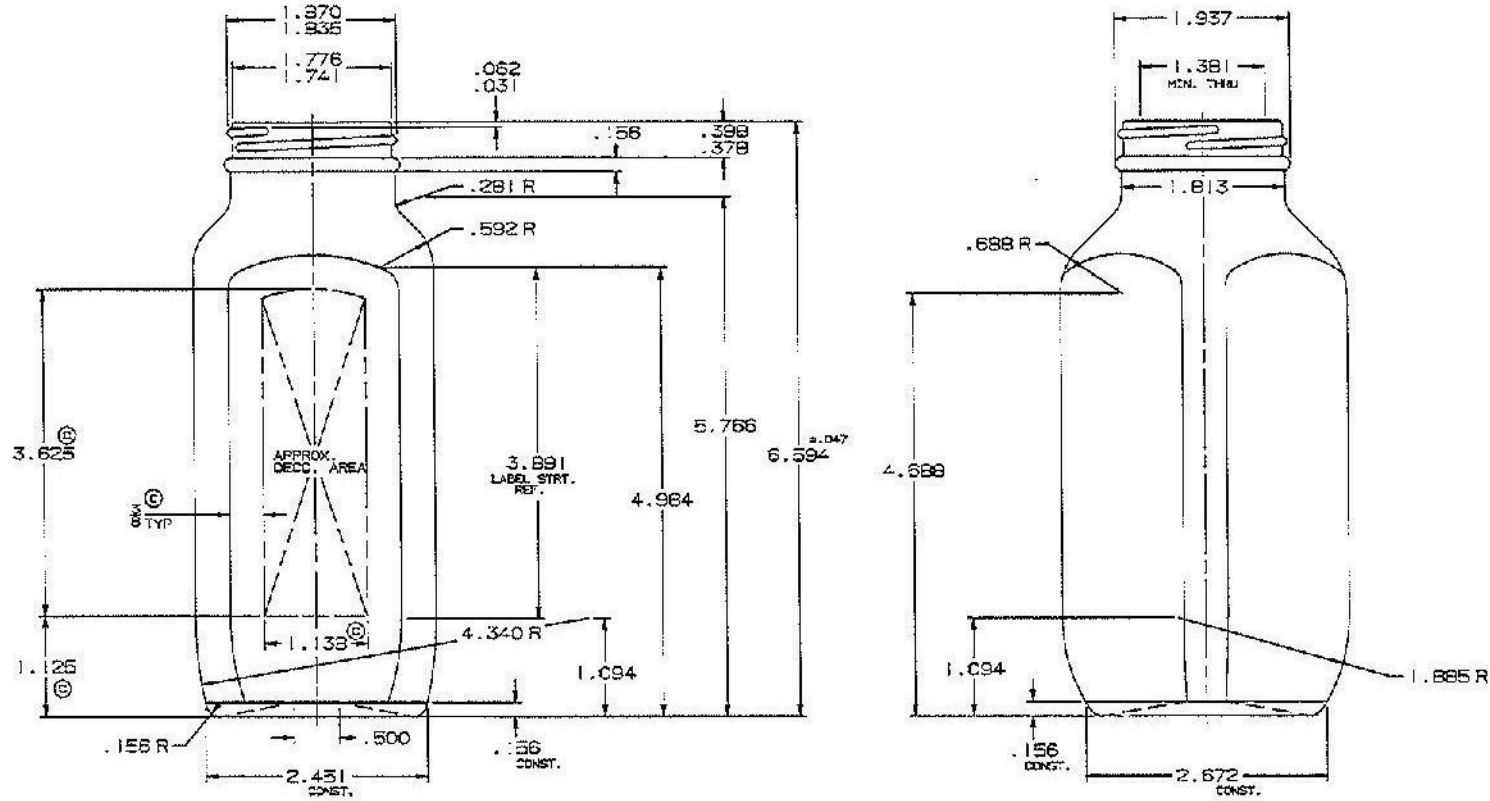


Part #	30WF16
Capacity	16 oz.
Color	Clear
Material	Glass
Neck Finish	48-400
Neck Width	48mm
Case Pack	40 ea.
Pallet Pack	2,000 ea. (50 Cases)



30WF16

DEPRESSED THD @ SEAM



Supplied By: **The Cary Company**
 Ph: 630-629-6600
www.thecarycompany.com

CUSTOMER	MO. 3 REGISTER NO. L-772R	DATE DRAWN 1/31/96	ADD APPROX. DECCD. AREA
TITLE FRENCH SQUARE	SCALE FULL SIZE	DRAWN BY ZANE	TRADEMARK REV'D
PRACTICAL FILL 16 ±2	APPROX. NET WT. 10.226oz	CHECKED BY	ADD CODING DOTS
CAPACITY 497.7cc ± 7.4cc CF			REVISED
FINISH GPI 40C-4B-405			