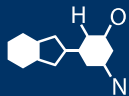
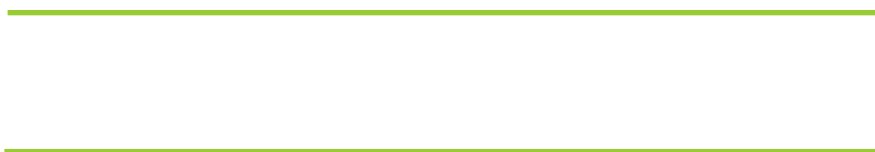


# IF YOU...



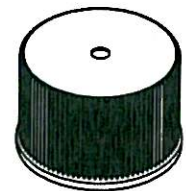
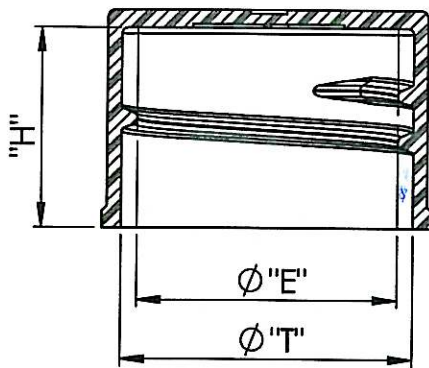
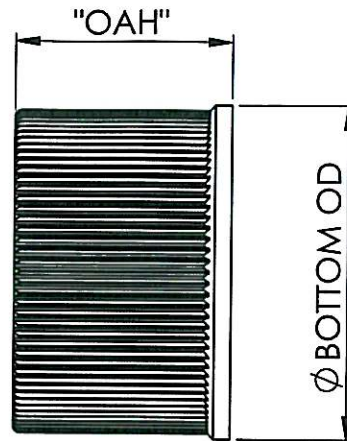
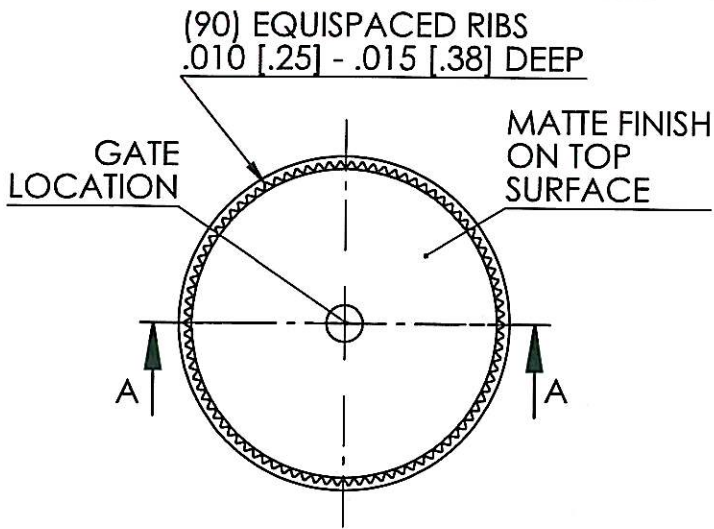
MIX IT. FILL IT. PACK IT. SHIP IT.

# WE HAVE A **PRODUCT** FOR YOU



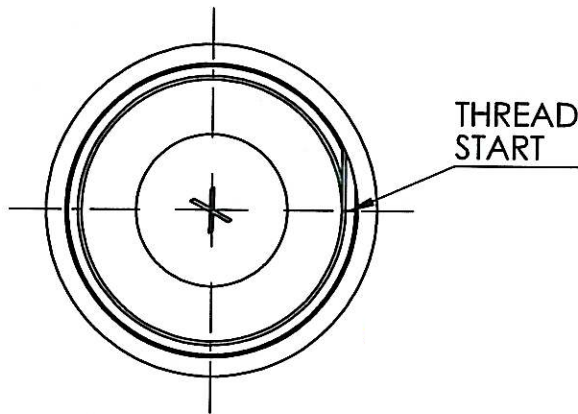
Part #	30WF21
Neck Width	20mm
Neck Finish	20-410
Color	White
Material	PP





SCALE: 1:1

**THIS DRAWING SUPERSEDES  
DRAWING 20-410**



	TOLERANCE	UNITS	
T	±.007 [.18]	in [mm]	.798 [20.27]
E	±.007 [.18]	in [mm]	.712 [18.08]
H	±.006 [.15]	in [mm]	.543 [13.79]
OAH	±.007 [.18]	in [mm]	.592 [15.04]
BOTTOM OD	±.008 [.20]	in [mm]	.903 [22.94]
OVALITY	±.007 [.18]	in [mm]	
PART WEIGHT	±.2	g	1.7

**STATIC TORQUE RECOMMENDATION**  
8-12 in-lbs

THIS REQUIREMENT MAY VARY  
DEPENDING UPON BOTTLE MATERIAL,  
NECK FINISH, AND CAPPING EQUIPMENT

THE CLOSURE DIMENSIONS  
DEPICTED ARE THOSE WHICH HAVE  
GENERALLY BEEN FOUND TO BE FUNCTIONAL  
BASED ON INDUSTRY EXPERIENCE BECAUSE  
OF VARIABILITY IN GLASS AND PLASTIC  
CONTAINER FINISHES. EACH CLOSURE/FINISH  
SYSTEM SHOULD BE INDIVIDUALLY EVALUATED  
AND TESTED TO ENSURE IT MEETS APPLICABLE  
PERFORMANCE CRITERIA. SEE QUALITY  
ASSURANCE SPECIFICATIONS FOR ADDITIONAL  
INFORMATION.

MOLD-RITE, WEATHERCHEM AND STULL  
TECHNOLOGIES RESERVES THE RIGHT TO  
REVISE ANY OR ALL SPECIFICATIONS AND  
REQUIREMENTS.

DRAWING TYPE: CUSTOMER

DIMENSIONS ENCLOSED IN ( ) INDICATE REFERENCE  
DIMENSIONS AND NO TOLERANCE LIMITS ARE ESTABLISHED

TOLERANCES UNLESS OTHERWISE SPECIFIED

DIMENSION (Inches)	TOLERANCE	DIMENSION (mm)	TOLERANCE
0-0.787	±0.006	0-20	±0.152
0.788-1.181	±0.008	21-30	±0.203
1.182-2.756	±0.012	31-70	±0.305
2.757-3.937	±0.016	71-100	±0.406
3.938-5.096	±0.020	101-150	±0.508
5.097-7.874	±0.024	151-200	±0.610
7.875-9.843	±0.032	201-250	±0.813

ANGULAR TOLERANCE ± 2°

**PROPRIETARY AND CONFIDENTIAL**

THIS DRAWING IS PROTECTED BY COPYRIGHT AND CONTAINS INFORMATION  
PROPRIETARY TO MOLD-RITE, WEATHERCHEM AND STULL TECHNOLOGIES.  
ANY REPRODUCTION, DISCLOSURE, OR USE OF ITS CONTENTS OR ANY PART  
THEREOF IS EXPRESSLY PROHIBITED EXCEPT AS MOLD-RITE, WEATHERCHEM  
AND STULL TECHNOLOGIES OTHERWISE MAY AGREE IN WRITING



PH 630-629-6600 - FX 630-629-3690  
1195 W. FULLERTON AVE. - ADDISON, IL 60101  
WWW.THECARYCOMPANY.COM



DISTRIBUTION  
CODE  
**D**

DRAWING NAME  
**20mm-410 "RL"  
FINE RIBBED CLOSURE**

DRAWN BY:  
L BROZELL

03/26/14

DRAWING NUMBER  
**CQA-10016**

QA APPR:

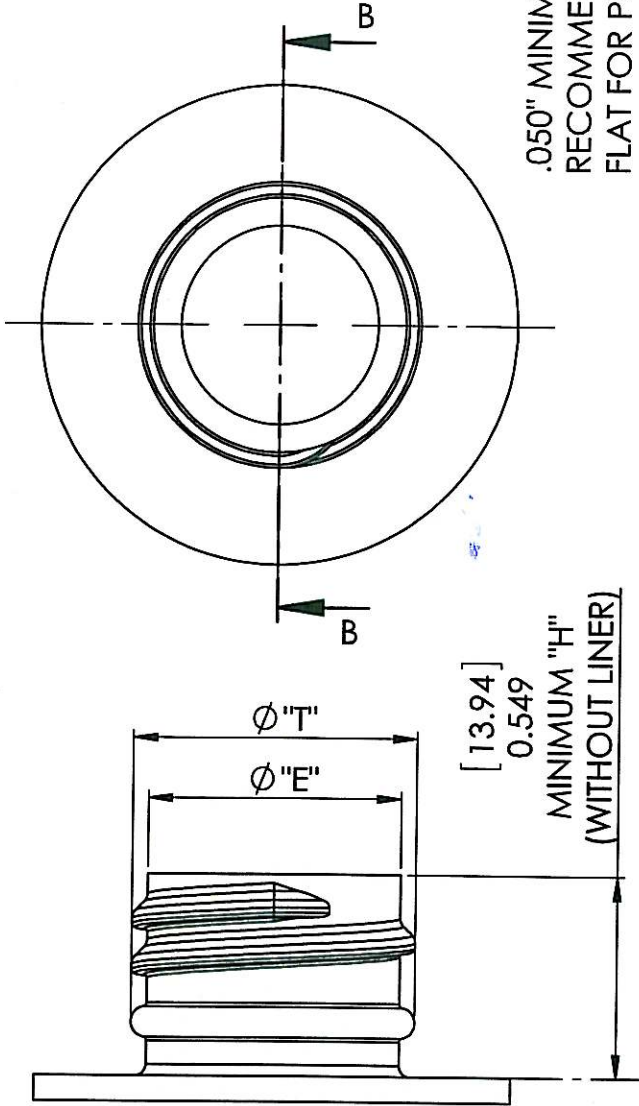
MATERIAL  
POLYPROPYLENE

CUSTOMER APPR:

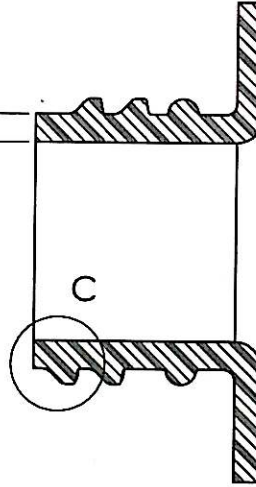
MODEL NUMBER: CQA-10016

SCALE	SHEET SIZE	SHEET	REV	N/P
2:1 & NOTED	8½ x 11	1 of 3	01	AA

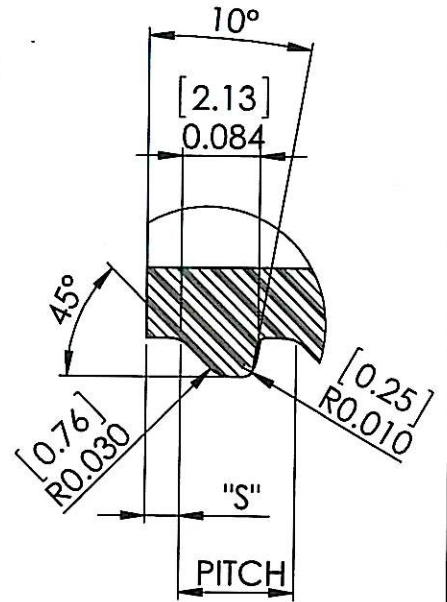
# Recommended Neck Finish



.050" MINIMUM  
RECOMMENDED  
FLAT FOR PROPER  
INDUCTION SEAL



SECTION B-B



DETAIL C  
SCALE 5 : 1

THREAD DETAIL

	TOLERANCE	UNITS	
E	±.008 [.20]	in (mm)	.691 [17.55]
T	±.008 [.20]	in (mm)	.775 [19.69]
H		in (mm)	
I		in (mm)	
S	±.015 [.38]	in (mm)	.037 [.94]
TPI			.125 [3.18]
PITCH			8

THE CLOSURE DIMENSIONS DEPICTED ARE THOSE WHICH HAVE GENERALLY BEEN FOUND TO BE FUNCTIONAL BASED ON INDUSTRY EXPERIENCE BECAUSE OF VARIABILITY IN GLASS AND PLASTIC CONTAINER FINISHES. EACH CLOSURE/FINISH SYSTEM SHOULD BE INDIVIDUALLY EVALUATED AND TESTED TO ENSURE IT MEETS APPLICABLE PERFORMANCE CRITERIA. SEE QUALITY ASSURANCE SPECIFICATIONS FOR ADDITIONAL INFORMATION.

MOLD-RITE, WEATHERCHEM AND STULL TECHNOLOGIES RESERVES THE RIGHT TO REVISE ANY OR ALL SPECIFICATIONS AND REQUIREMENTS.

DRAWING TYPE :		CUSTOMER	
DIMENSIONS ENCLOSED IN ( ) INDICATE REFERENCE DIMENSIONS AND NO TOLERANCE LIMITS ARE ESTABLISHED			
TOLERANCES UNLESS OTHERWISE SPECIFIED			
DIMENSION (inches)	TOLERANCE	DIMENSION (mm)	TOLERANCE
0-0.787	±0.006	0-20	±0.152
0.788-1.181	±0.008	21-30	±0.203
1.182-2.756	±0.012	31-70	±0.305
2.757-3.937	±0.016	71-100	±0.406
3.938-5.095	±0.020	101-150	±0.508
5.097-7.874	±0.024	151-200	±0.610
7.875-9.843	±0.032	201-250	±0.813
ANGULAR TOLERANCE ± 2°			
PROPRIETARY AND CONFIDENTIAL			
THIS DRAWING IS PROTECTED BY COPYRIGHT AND CONTAINS INFORMATION PROPRIETARY TO MOLD-RITE, WEATHERCHEM AND STULL TECHNOLOGIES. ANY REPRODUCTION, DISCLOSURE, OR USE OF ITS CONTENTS OR ANY PART THEREOF IS EXPRESSLY PROHIBITED EXCEPT AS MOLD-RITE, WEATHERCHEM AND STULL TECHNOLOGIES OTHERWISE MAY AGREE IN WRITING			



PH 630-629-6600 - FX 630-629-3690  
1195 W. FULLERTON AVE. - ADDISON, IL 60101  
WWW.THECARYCOMPANY.COM

THIRD ANGLE PROJECTION 	DISTRIBUTION CODE <b>D</b>	DRAWING NAME <b>20mm-410 "RL" FINE RIBBED CLOSURE</b>
DRAWN BY: REFER TO PAGE 1	QA APPR: REFER TO PAGE 1	DRAWING NUMBER <b>CQA-10016</b>
CUSTOMER APPR: REFER TO PAGE 1	MATERIAL	
SCALE		SHEET SIZE
2:1 & NOTED	8 1/2 x 11	3 of 3
REV	01	AA