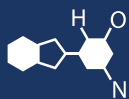


IF YOU...



MIX IT. FILL IT. PACK IT. SHIP IT.

WE HAVE A PRODUCT FOR YOU

Part #: 30WFT7

Trigger Sprayers

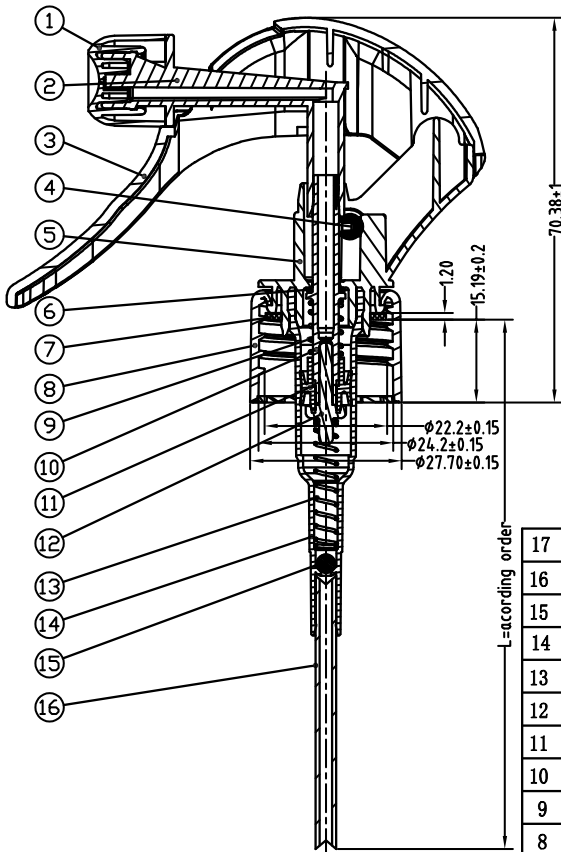
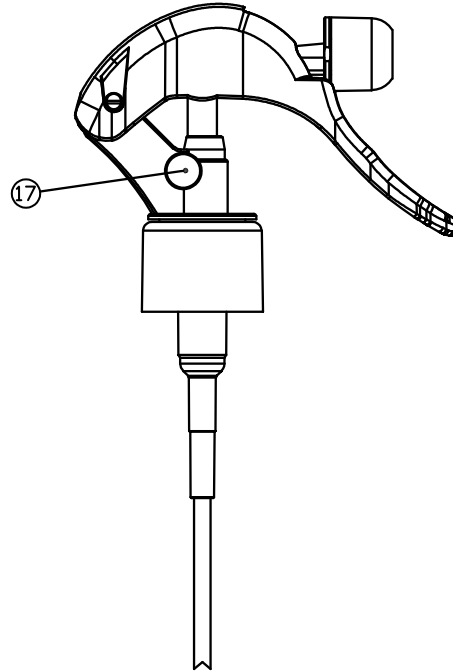
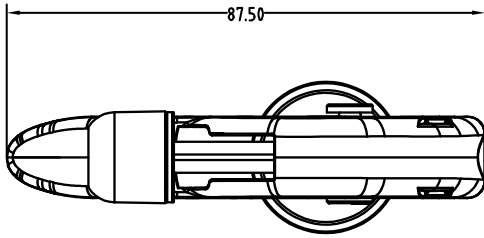
Black Fine Mist Trigger Sprayer with 8" Dip Tube,
24mm 24-410



The
CARYCOMPANY
Est. 1895

1195 W. Fullerton Ave. | Addison, IL 60101 | T: 630.629.6600 | F: 630.629.3690 |

Black Fine Mist Trigger Sprayer with
7" Dip Tube, 24mm 24-410



Dosage: 0.5cc

NO.	Component	MAT.	Specification	Q'TY	Remark
17	Lock catch-2	POM	natural	1	
16	Dip tube	LDPE	natural	1	
15	Ball	Glass		1	
14	Housing	PP	natural	1	
13	Down spring	304H		1	
12	Stem insert	POM	natural	1	
11	Piston	LDPE	natural	1	
10	Piston pole	POM	natural	1	
9	Up spring	304H		1	
8	Closure	PP	Color from order	1	
7	Gasket	PE		1	
6	O ring	Rubber	Black	1	
5	Body	PP	Color from order	1	
4	Lock catch-1	POM	Color from order	1	
3	Trigger	PP	Color from order	1	
2	Actuator	PP	Color from order	1	
1	Nozzle	PP	Color from order	1	

TOLERANCE			●
0mm-15mm	±0.05	±0.10	±0.20
15mm-30mm	±0.05	±0.15	±0.50
30mm-50mm	±0.10	±0.20	±1.00
?50mm	±0.15	±0.30	±1.50
角度	±0.25°	±0.50°	±1.00°

DRAFTER	
CHECKED	
APPROVED	

UNIT: mm			
SCALE: FILL			
MODEL NAME: 30WFT7	TITLE:		
PART NO.:	SHEET:	Q' TY: 1/1	REV: A1
DWG NO.:	VISUAL ANGLE:		