

IF YOU...



MIX IT. FILL IT. PACK IT. SHIP IT.

WE HAVE A PRODUCT FOR YOU

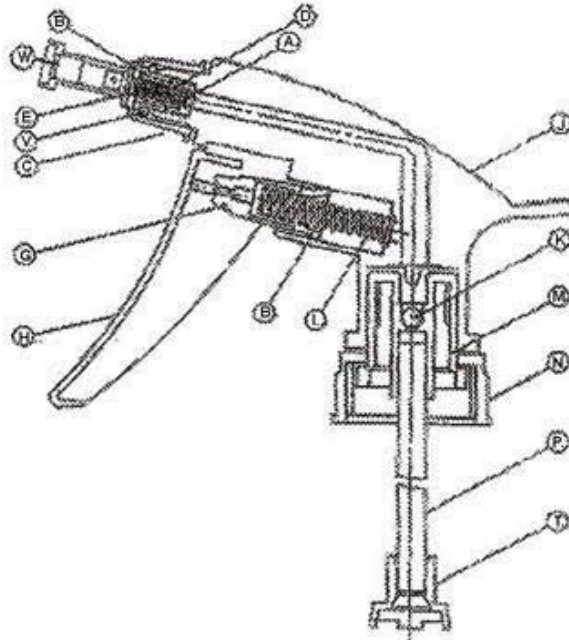
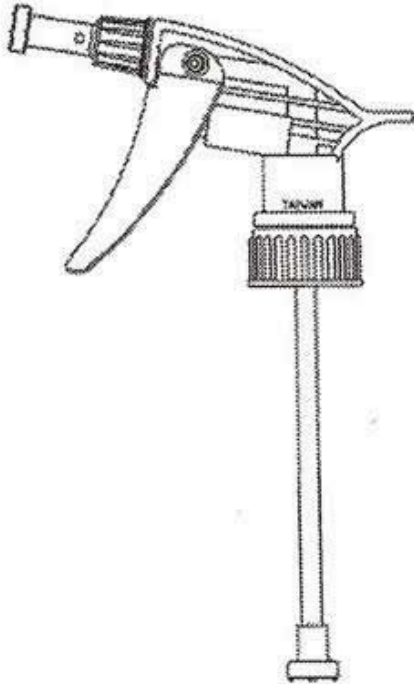


Part #	30WFTS
Neck Width	28mm
Neck Finish	28-400
Color	White
Material	PP
Case Pack	200 ea.



Supplied By: **The Cary Company**
Ph: 630-629-6600
www.thecarycompany.com

Model No. 322 FOAMER



A. Second Valve: High density PE

B. Piston: NBR#1051

C. Nozzle Cap: Polypropylene

D. Spin: Low density PE

E. Spring: SS#304

G. Cupwasher: Polypropylene

H. Trigger: Polypropylene

I. Piston Spring: SS#304

J. Body: Polypropylene

K. Ball: SS#304

M. Valve: Polypropylene

N. Closure: Polypropylene

P. Diptube: Low density PE

S. Spin Collar: Polypropylene

T. Strainer: Polypropylene

V. O Ring: NBR#1051

W. Mesh: Polyester

Stroke: 1cc+0.1 per stroke.

Closure size: 28/400 28/410 28/415

Usage: Industrial, Business, Market,
Farm & Home.

Diptube: as per your request.