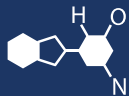


# IF YOU...



MIX IT. FILL IT. PACK IT. SHIP IT.

# WE HAVE A **PRODUCT** FOR YOU

Part #: 30WFU1

---

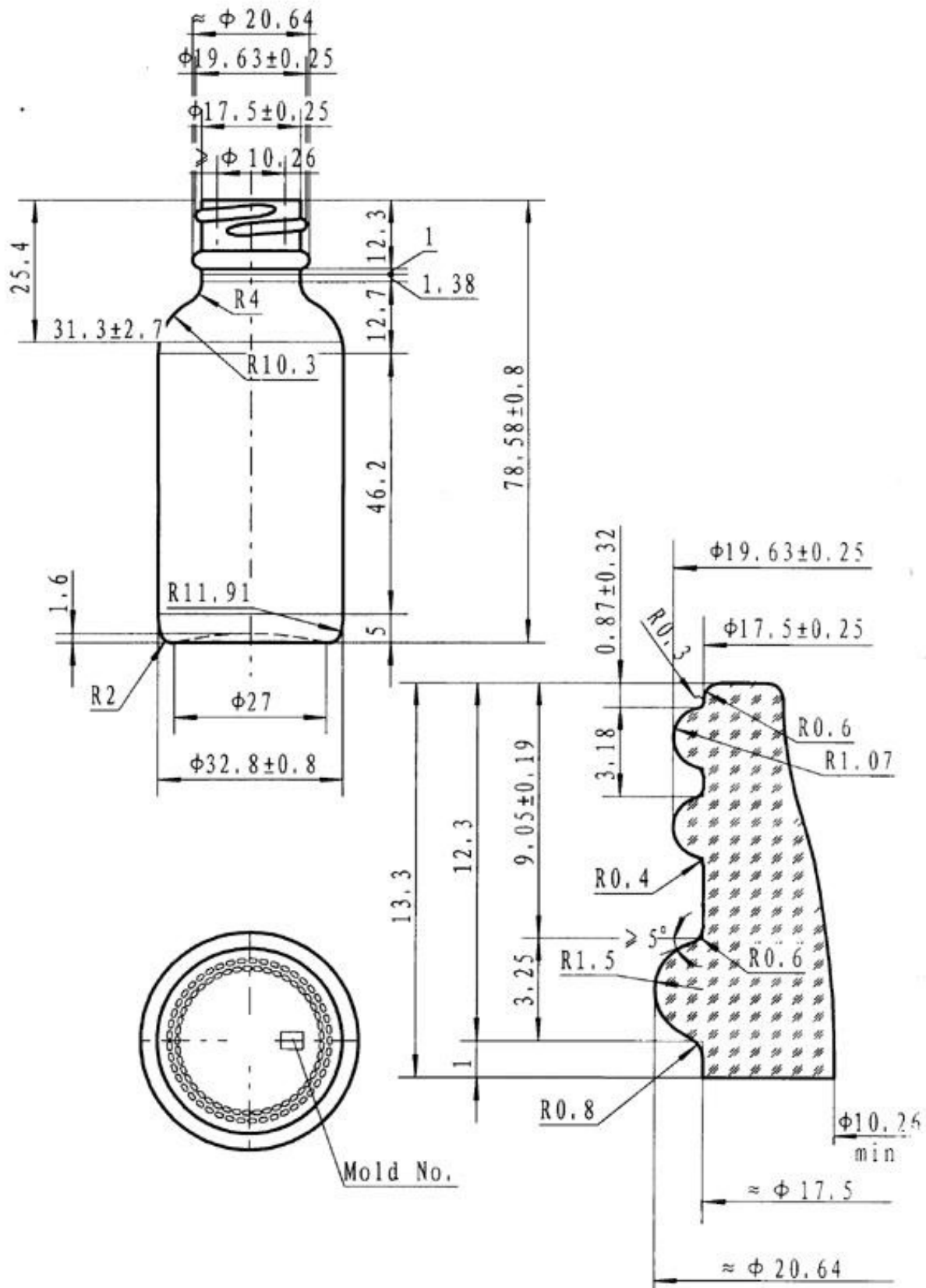
---



---

The  
**CARY**COMPANY  
Est. 1895

1195 W. Fullerton Ave. | Addison, IL 60101 | T: 630.629.6600 | F: 630.629.3690 |



Filling Cap.:	31.3±2.7ml	DES'D by		REF. NO.:	430301 #
			Date:		DRG. NO.:
Brimful Cap.:	36.2ml	CHK'D by		Material	Boston Round Bottle, Type III
			Date:		
Weight:	44±7g	APP'D by		The <b>CARY COMPANY</b> Est. 1895	
			Date:		