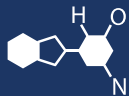


IF YOU...



MIX IT. FILL IT. PACK IT. SHIP IT.

WE HAVE A **PRODUCT** FOR YOU

Part #: 30WG60

Plastic Packer Bottles

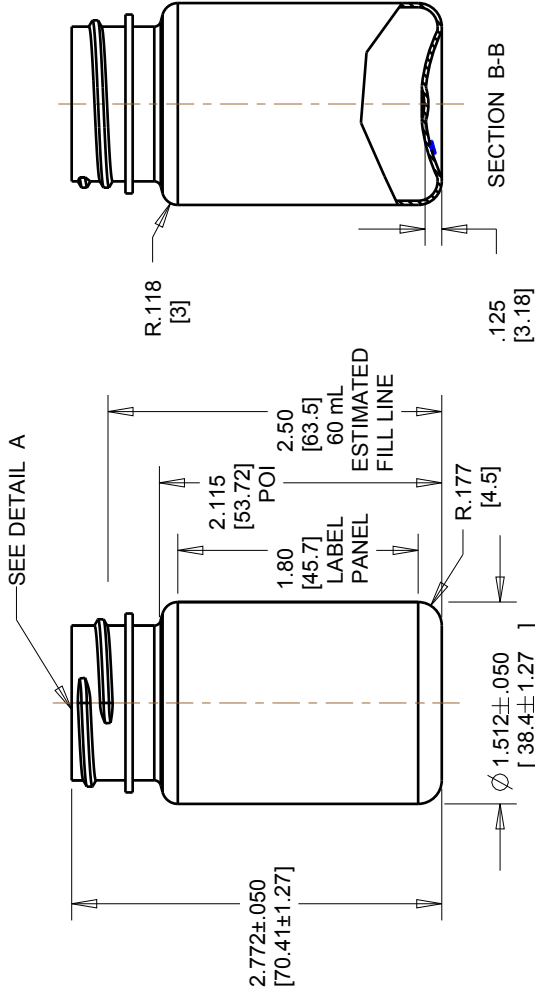
2 oz. (60 cc) Dark Green PET Plastic Packer Bottle,
33mm 33-400, 12 Grams



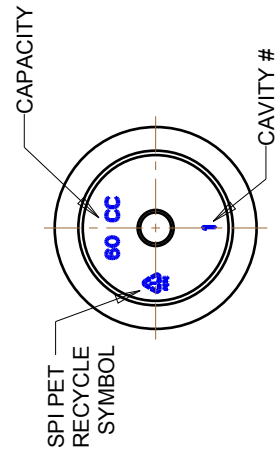
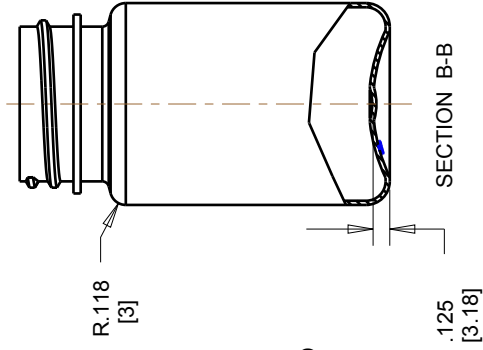
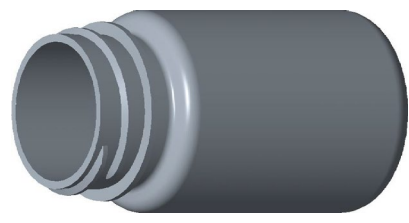
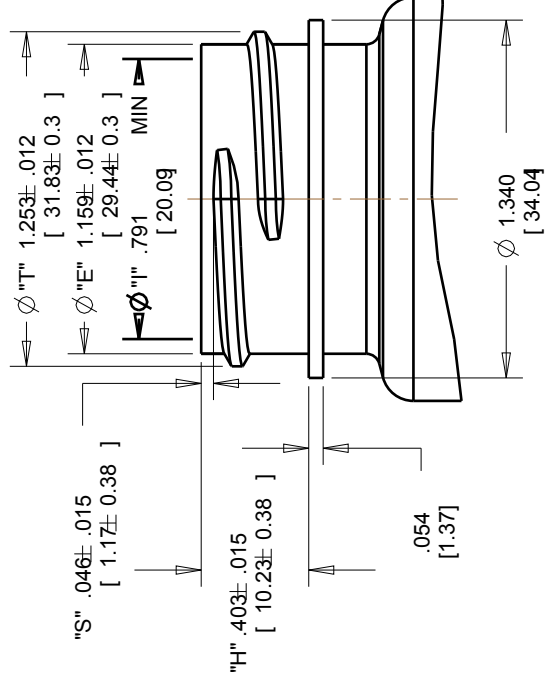
The
CARYCOMPANY
Est. 1895

1195 W. Fullerton Ave. | Addison, IL 60101 | T: 630.629.6600 | F: 630.629.3690 |

REV	E.C.N.	DESCRIPTION	BY	DATE
A	180	Weight was 11.0g. Min wall was .008".	RAB	03-06-18



DETAIL A
L33SP400 FINISH
6 TPI, 1 TURN
1" DEPTH .250" MIN
SCALE 2.000



Specification General:		Min. Thk (in.)	Weight (g)	Overflow (mL)
All measurements are in inches, [mm]		.010	11.5± 1.0	63.7± 3.5
Base engraving is subject to change location & size.				
Tolerance where not shown:				
Decimal ± 0.05 [1.27]				
Angular ± 1°				
NECK FINISH:	L33SP400			
MATERIAL:	PET			

The CARY COMPANY Est. 1995		Scale: NPD #: 1069	Drawn By: RAB	Date: Oct-15-13
60 CC STRAIGHT SIDED PACKER		Approved By:		Dwg/Rev: A
Drawing Number: P0060PKSS033A				