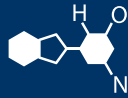


IF YOU...



MIX IT. FILL IT. PACK IT. SHIP IT.

WE HAVE A PRODUCT FOR YOU

Part #30WGAL

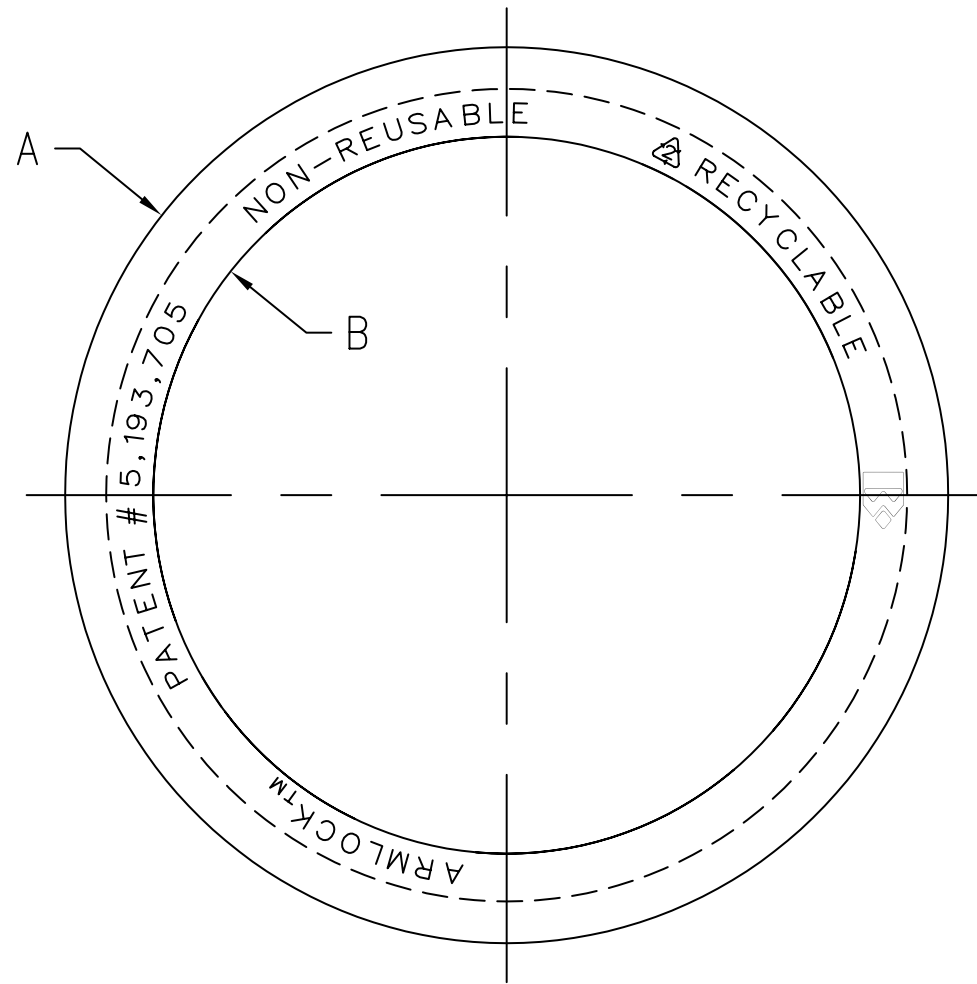
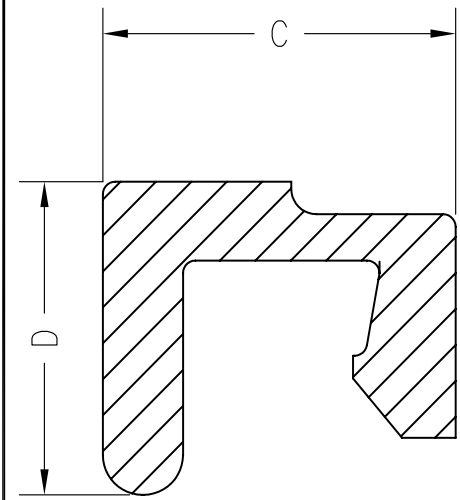
Paint Can Ring Locks (Armlok & Normlock Rings)

Armlok® I Overseal Ring for 1 Gallon Metal Paint Cans



The
CARYCOMPANY
Est. 1895

1195 W. Fullerton Ave. | Addison, IL 60101 | T: 630.629.6600 | F: 630.629.3690 | TheCaryCompany.com



REFERENCE DIMENSIONS

CAN ϕ	A ϕ	B ϕ	C	D
214	3.015	2.205	.405	.340
307	3.510	2.680	.415	.360
404	4.406	3.526	.440	.385
610	6.815	5.715	.550	.423



DRAWN BY:	SCALE	REV. BY	NO.	DATE	REVISION DESCRIPTION
WTB	NONE	JWH		5/21/03	MODIFIED 610
CHECKED BY:	DATE	DAB		10/10/06	ADDED DIMS C AND D
WTB	5-25-99				
APPROVED BY:					
WTB					

PRODUCT DRAWING ARMLOK RINGS ALL SIZES				
SUPERCEDES	MATERIAL	PRINT NO.	REV.	
1-SIZE6-001	HDPE	PDALL-1-001		