

IF YOU...



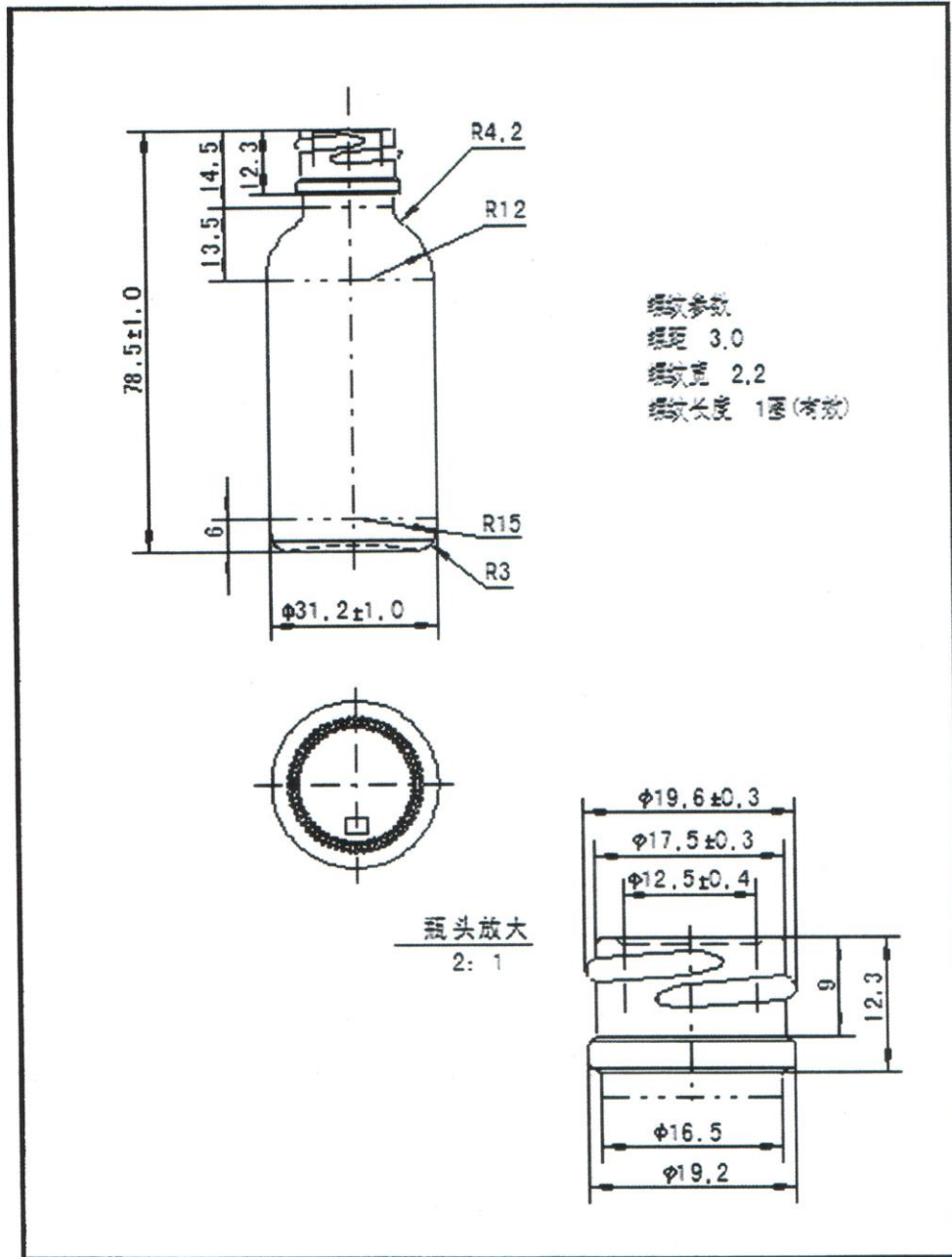
MIX IT. FILL IT. PACK IT. SHIP IT.


WE HAVE A PRODUCT FOR YOU



Part #	30WGFO
Capacity	1/2 oz.
Color	Clear
Material	Glass
Dimensions	1.228" Dia. x 3.09"H
Neck Finish	18-400
Neck Width	18mm
Case Pack	540 ea.
Pallet Pack	21,600 ea. (40 Cases)
Industries	Pharmaceutical





Nominal Capacity		Drawn	FengQi Cheng		Drawing Name	30WZH	Scale
			Date	07.10.11			1:1
O.F. Capacity	34 = 2.5ml	Checked			Material	Flint Glass	
			Date				
Weight	≈ 36g	Approved			 Supplied By: The Cary Company Ph: 630-629-6600 www.thecarycompany.com		
			Date				