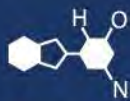


# IF YOU...



MIX IT. FILL IT. PACK IT. SHIP IT.

# WE HAVE A **PRODUCT** FOR YOU

Part #: 30WHP4

---

---



---

The  
**CARY**COMPANY  
Est. 1895

1195 W. Fullerton Ave. | Addison, IL 60101 | T: 630.629.6600 | F: 630.629.3690 |

## SCOOPS

# 30WHP4



## Specifications:

**TYPE** Scoop  
**VOLUME** 90 cc  
**HANDLE** Medium  
**DESIGN** Round  
**MATERIAL** PP

## PACKAGING & FREIGHT INFORMATION

PACK TYPE	PCS/CTN	CTNS/PALT	PCS/PALT	CTN WT*	PALT WT*	FRT CLASS
Bulk	400	24	9,600	11	314	250
<b>CARTON DIMENSIONS: 19 x 15 x 18</b>			<b>PALLET DIMENSIONS: 40 x 48 x 80</b>			

\*Approximate

## MARKETS

Nutritional Powders, Powdered Drinks, Baby Formulas, Household Chemical; Cleaning Products; Pet Products; Plant Food & Fertilizers

## OPTIONS

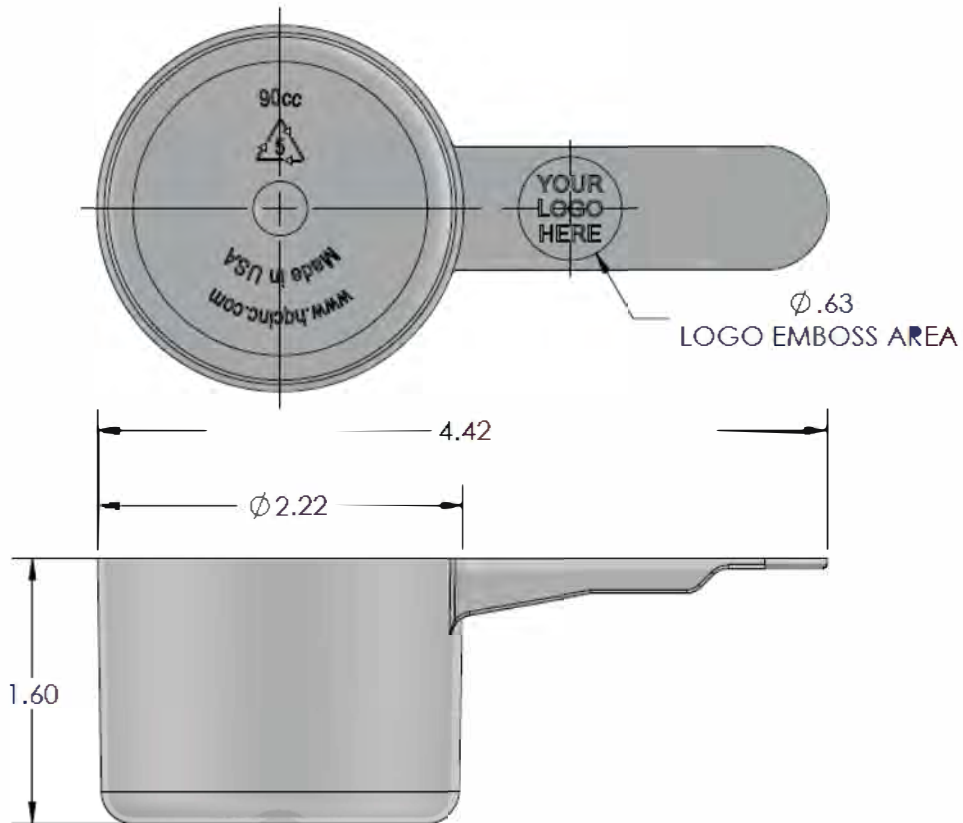
Available in natural, white, black and colors.  
Custom logo engraving available.

## SCOOP BENEFITS

- Customization options available
- Popular for nutritional powders

SCOOPS

# 30WHP4



NOTES: (UNLESS OTHERWISE SPECIFIED) 1. ALL DIMENSIONS ARE IN INCHES. 2. SEE CHART FOR DIMENSIONAL TOLERANCE.	- 00.00.00 -				--				
	REV	DATE	DESCRIPTION		BY				
	TOLERANCE	PITCH/TPI	NA / 0	TURN	x	MAT'L	PP	REV	
	.X	$\pm 0.1$	DRAWN	HQC	DATE	01.05.15	SCALE	0 : 1	REV
	.XX	$\pm 0.02$	30WHP4					0	
.XXX	$\pm 0.010$								