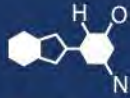


IF YOU...



MIX IT. FILL IT. PACK IT. SHIP IT.

WE HAVE A PRODUCT FOR YOU

Part #: 30WHP5

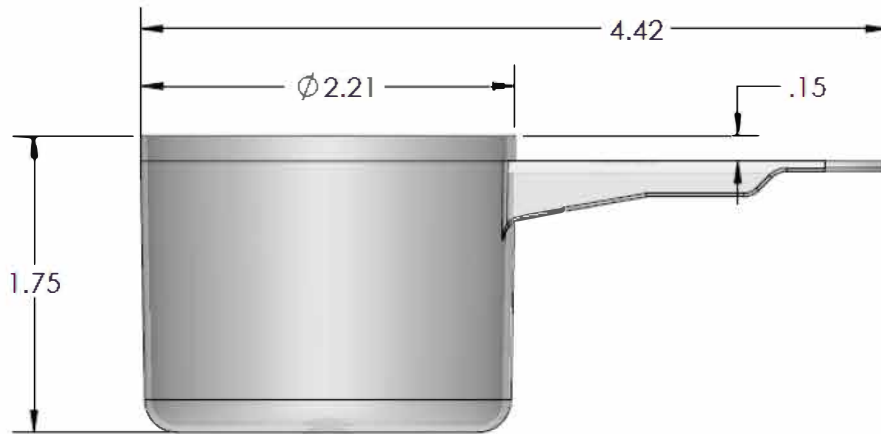
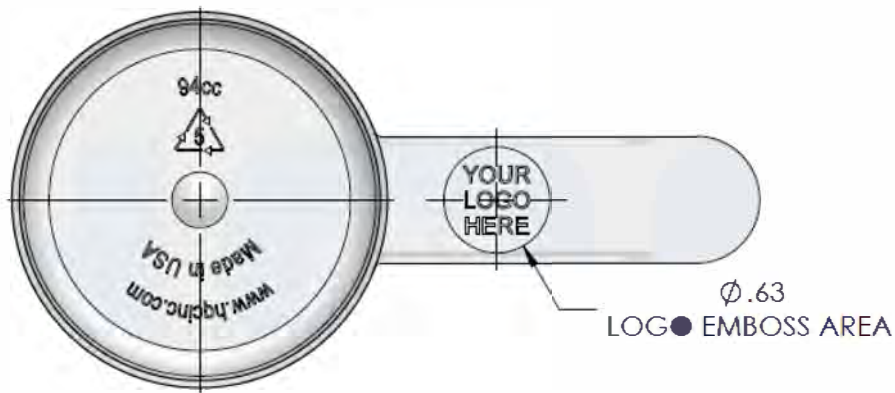


The
CARYCOMPANY
Est. 1895

1195 W. Fullerton Ave. | Addison, IL 60101 | T: 630.629.6600 | F: 630.629.3690 |

SCOOPS

30WHP5

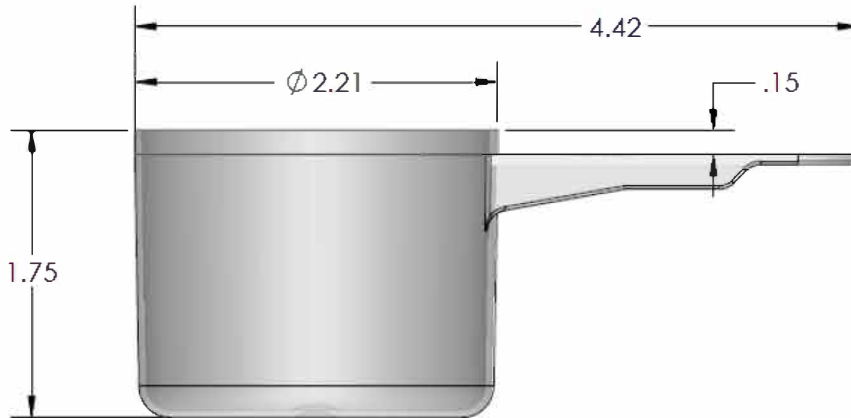
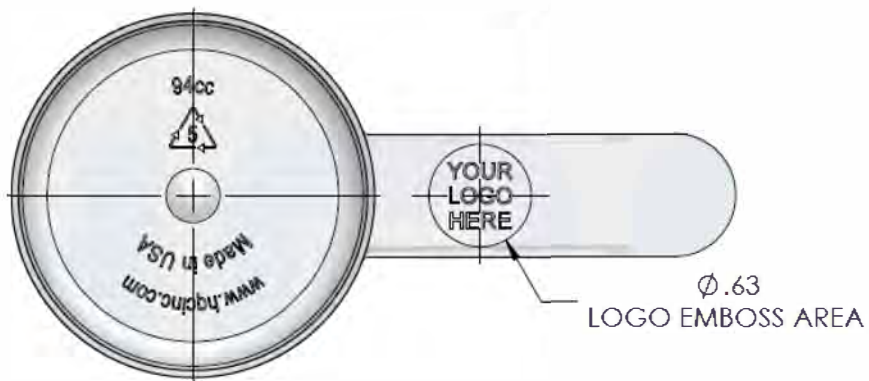


NOTES: (UNLESS OTHERWISE SPECIFIED)
 1. ALL DIMENSIONS ARE IN INCHES.
 2. SEE CHART FOR DIMENSIONAL TOLERANCE.

-		00.00.00		-		--	
REV	DATE	DESCRIPTION				BY	
TOLERANCE	PITCH/TPI	NA	/ 0	URNS	x	MAT'L	PP
.X	±0.1	DRAWN	HQC	DATE	01.06.15	SCALE	0 : 1
.XX	±0.02	30WHP5					REV
.XXX	±0.010						0

SCOOPS

30WHP5



NOTES: (UNLESS OTHERWISE SPECIFIED)
 1. ALL DIMENSIONS ARE IN INCHES.
 2. SEE CHART FOR DIMENSIONAL TOLERANCE.

-	00.00.00	-	--
REV	DATE	DESCRIPTION	BY
TOLERANCE	PITCH/TPI	NA / 0	TURNS x MATL PP
.X ±0.1	DRAWN	HQC	DATE 01.06.15 SCALE 0 : 1 REV
.XX ±0.02	30WHP5		0
.XXX ±0.010			