

IF YOU...



MIX IT. FILL IT. PACK IT. SHIP IT.

WE HAVE A PRODUCT FOR YOU

Part #: 30WHP7



The
CARYCOMPANY
Est. 1895

1195 W. Fullerton Ave. | Addison, IL 60101 | T: 630.629.6600 | F: 630.629.3690 |

SCOOPS

Z40-SCM-RDBK G



Specifications:

TYPE Scoop
VOLUME 4 oz
HANDLE Medium
DESIGN Round
MATERIAL PP

PACKAGING & FREIGHT INFORMATION

PACK TYPE	PCS/CTN	CTNS/PALT	PCS/PALT	CTN WT*	PALT WT*	FRT CLASS
Bulk	300	24	7,200	10	290	250
CARTON DIMENSIONS: 19 x 15 x 18			PALLET DIMENSIONS: 40 x 48 x 80			

*Approximate

MARKETS

Nutritional Powders, Powdered Drinks, Baby Formulas, Household Chemical; Cleaning Products; Pet Products; Plant Food & Fertilizers

OPTIONS

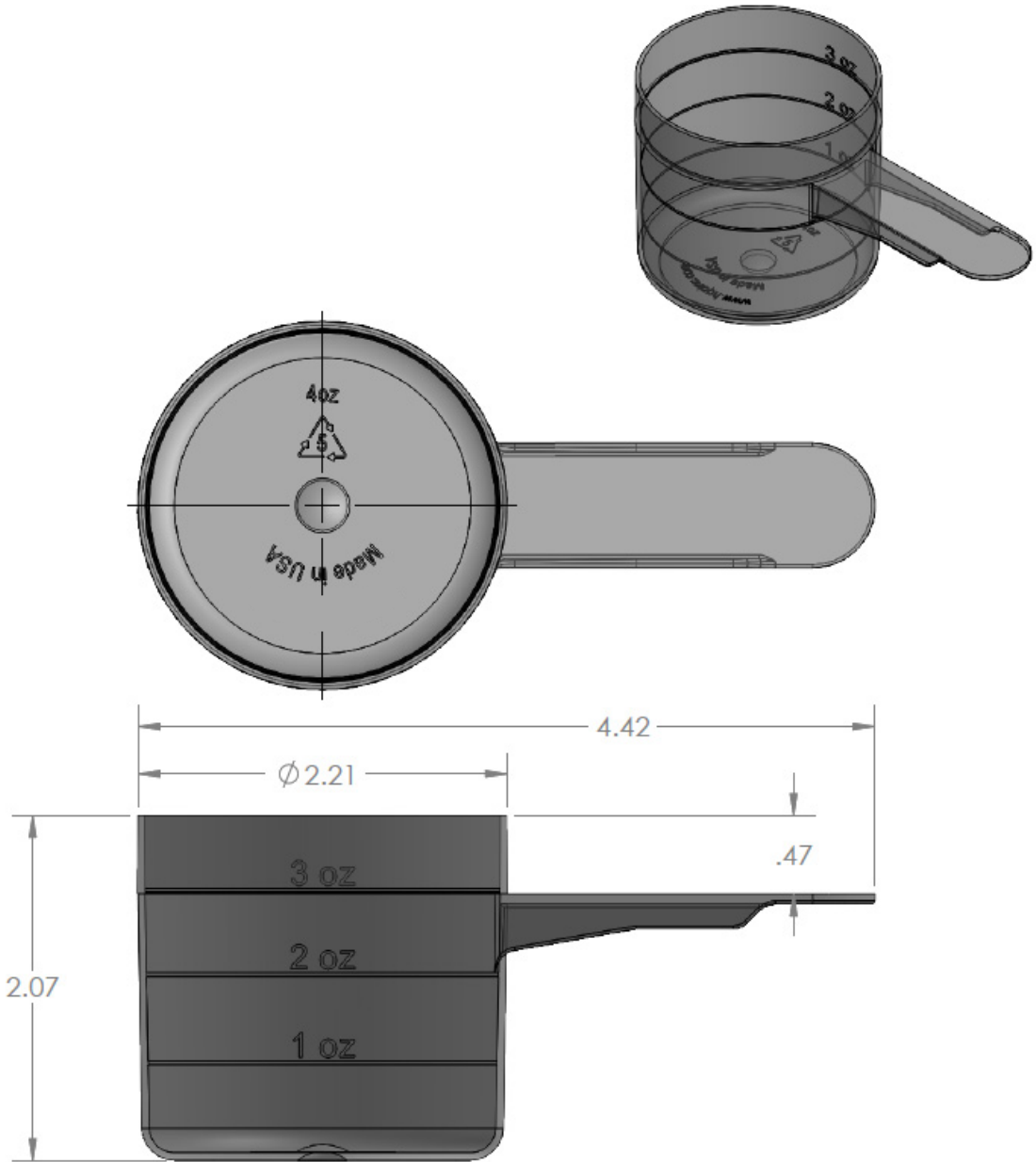
Available in natural, white, black and colors.
Custom logo engraving available.

SCOOP BENEFITS

- Manufactured by HQC
- Customization options available
- Popular for nutritional powders
- 1 oz graduation markings

SCOOPS

Z40-SCM-RDBK G



NOTES: (UNLESS OTHERWISE SPECIFIED)
 1. ALL DIMENSIONS ARE IN INCHES.
 2. SEE CHART FOR DIMENSIONAL TOLERANCE.

-		00.00.00			-		--	
REV	DATE	DESCRIPTION					BY	
TOLERANCE	PITCH/TPI	NA	/ 0	TURN	x	MAT'L	PP	
.X	±0.1	DRAWN	HQC	DATE	08.10.17	SCALE	0 : 1	
.XX	±0.02	Z40 - SCM - RDBK G					REV	
.XXX	±0.010						0	