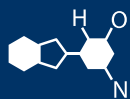


IF YOU...



MIX IT. FILL IT. PACK IT. SHIP IT.

WE HAVE A **PRODUCT** FOR YOU

Part #30WK2U

Spout Caps

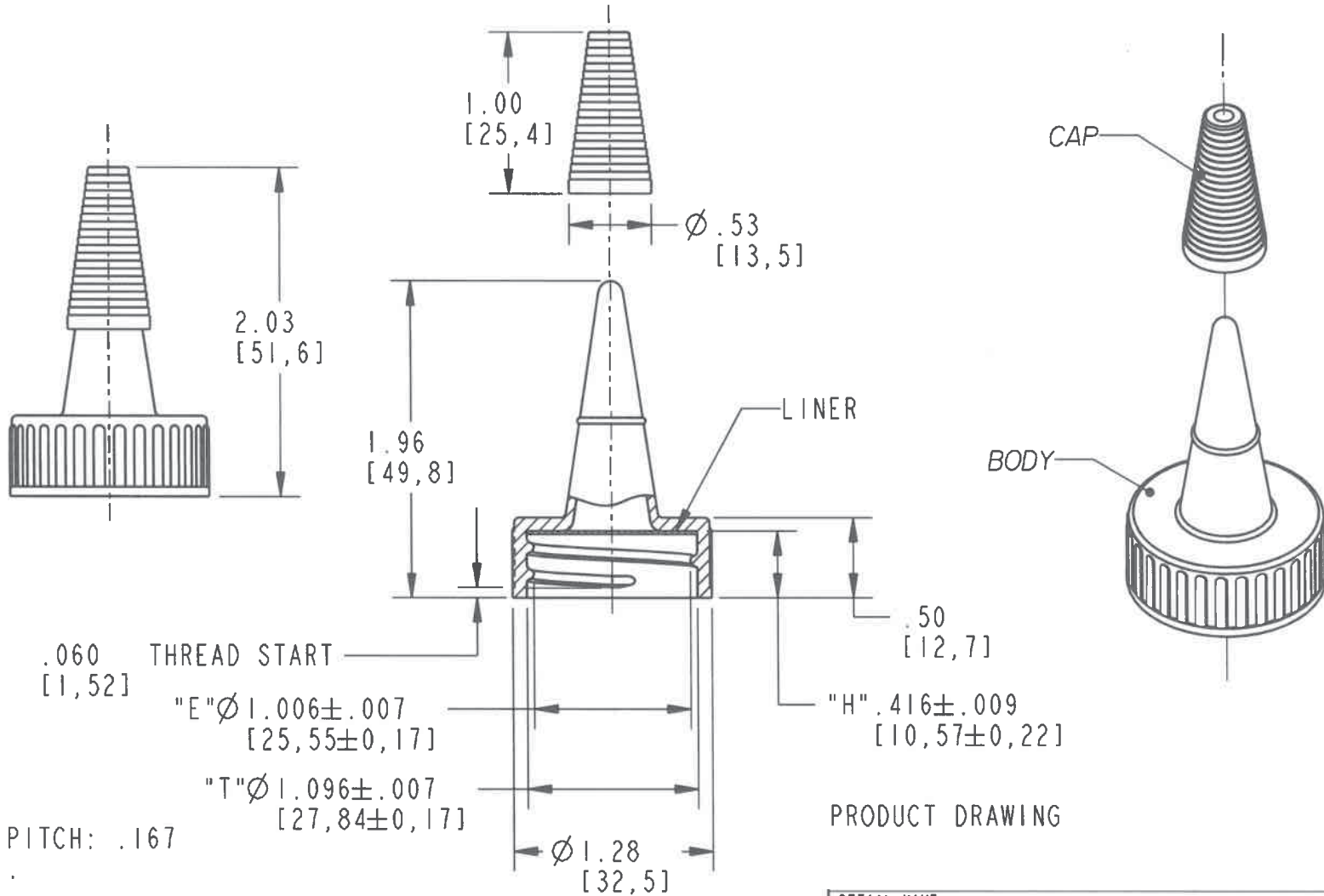
28mm 28-400 Black Spout Cap, No Hole, Unlined



The
CARYCOMPANY
Est. 1895

Description	V-28-976 28mm Directional Spout
Specification Number	03570045
Date	May 19, 2022
Prepared By	Brian Jordan
Approved By	Gary Baughman

Parameter	Specification
Material(s) of Construction	Polyethylene
Standard Color (Other Colors Available Upon Request)	Black
Nominal Dimensions in Inches (mm)	
Opening Print Drawing Number Revision	
Special Markings	
Accessories	No Liner
Applied Torque	15 in.-lbs. (+/- 2in.-lbs.) Liner required for sealing
Method of Delivery	2200 pcs/carton ~28 lbs gross/carton 18 cartons/pallet
Components	Black Spout Black Cap
Drawing Number Revision	28000915 A



THREAD PITCH: .167
6 T.P.I.

BREAK ALL SHARP EDGES
WITH 1/64" RADIUS,
UNLESS OTHERWISE SPECIFIED

THE FOLLOWING TOLERANCES
APPLY UNLESS OTHERWISE
SPECIFIED:

ANGLES ± 1/4°

HUNDREDTH ± .01

THOUSANDTH ± .005

DATE
01-Dec-99

SCALE
FULL

DRAWN BY
TPK

CHECKED
TAK

APPROVED

A
CHANGE
NUMBER

ADDED DUAL DIMENSIONING

CHANGE

31-OCT-02

RDR

BY

DETAIL NAME 28 mm DIRECTIONAL SPOUT

TOOL ASS'Y NAME

PRODUCT V-28 DIRECTIONAL SPOUT

DRAWING NUMBER 28000915

FOR AUBURN

MATERIAL LDPE TEMPER N/A

TOOL ASS'Y NUMBER



DETAIL NUMBER

V-28

PRODUCT DRAWING

PRO/E
Pro/E