

IF YOU...



MIX IT. FILL IT. PACK IT. SHIP IT.

WE HAVE A **PRODUCT** FOR YOU



Part #	30WKPN
Capacity	1 Gallon
Color	Black
Material	PP
Closure	Lid
Lining	Rust Inhibitor Enamel
Dimensions	6.785" Dia. x 7.806"H (7.9"H w/ Lid)
Case Pack	34 ea.
Pallet Pack	408 ea. (12 Cases)

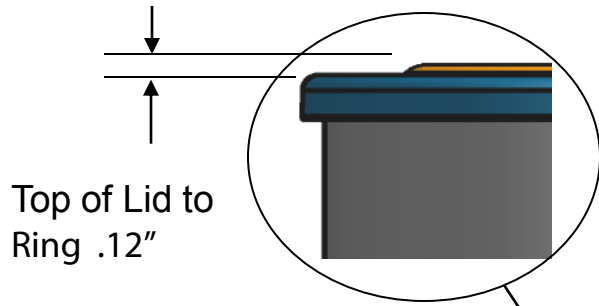
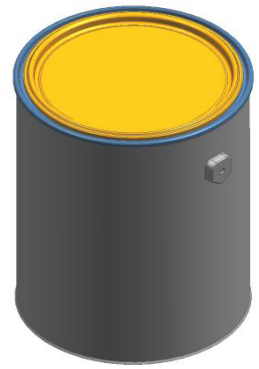




Supplied By: **The Cary Company**

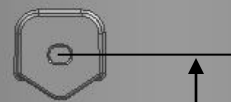
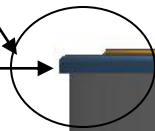
Ph: 630-629-6600

www.thecarycompany.com



Top of Lid to
Ring .12"

Ring O.D. 6.78"



C/L Ear Hole to
Foot Bottom 6
3/16"

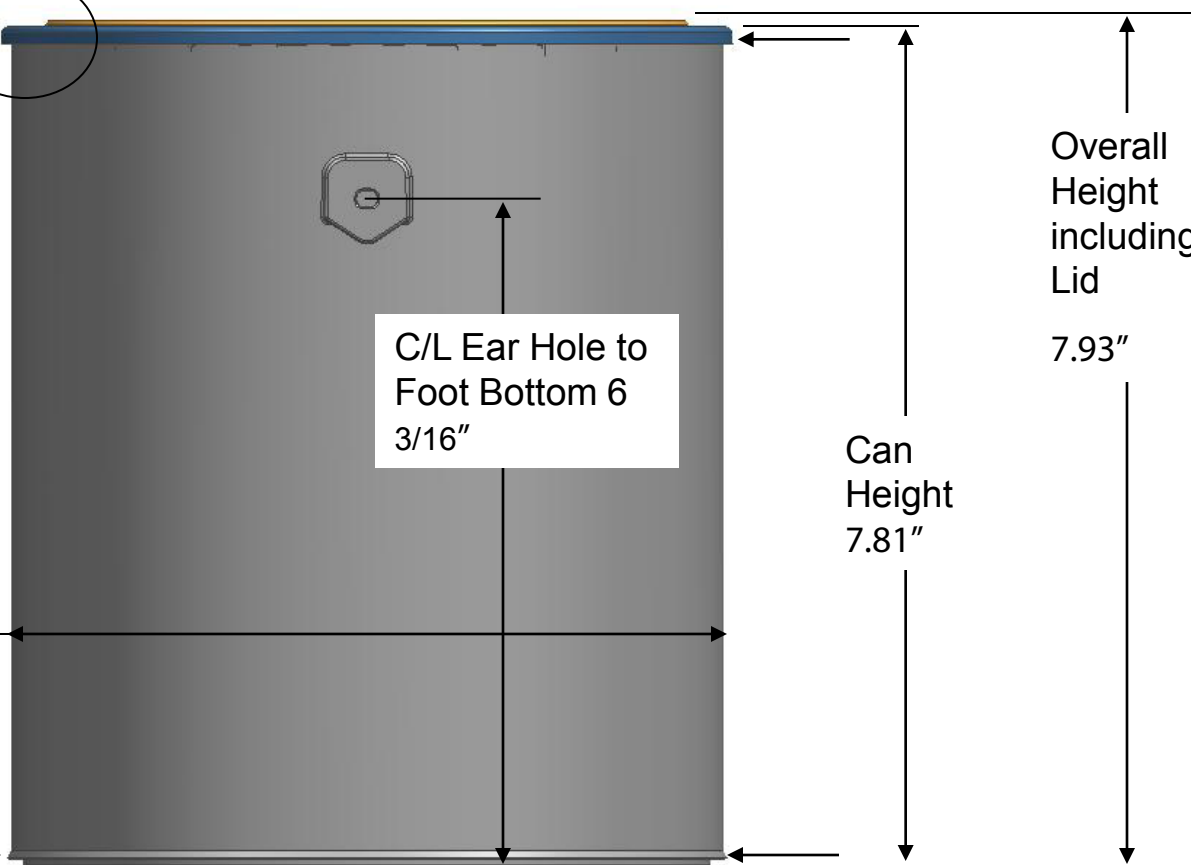
Overall
Height
including
Lid

7.93"

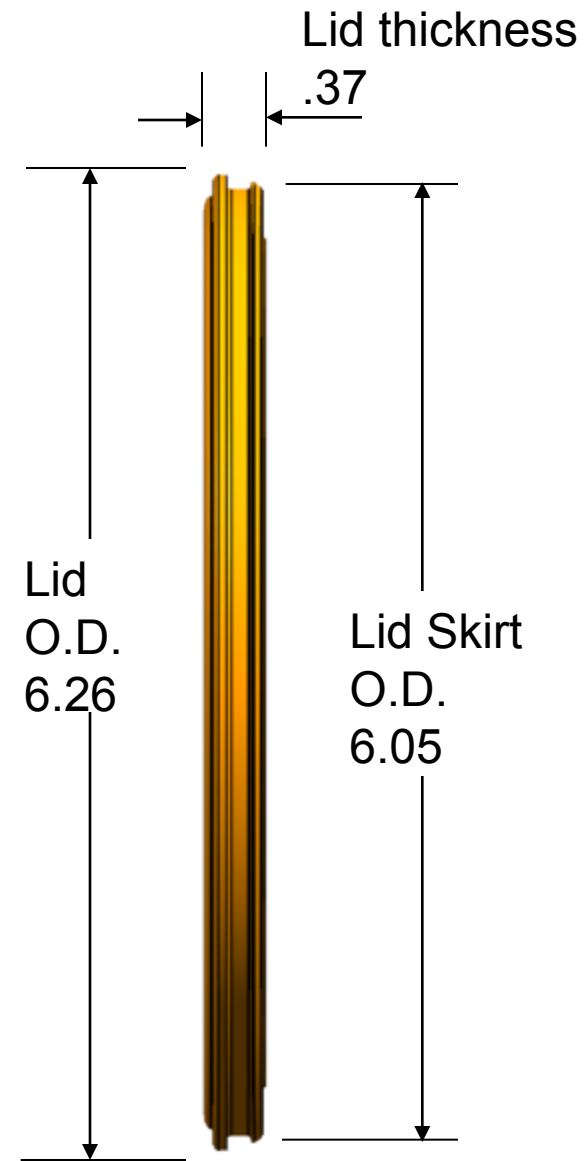
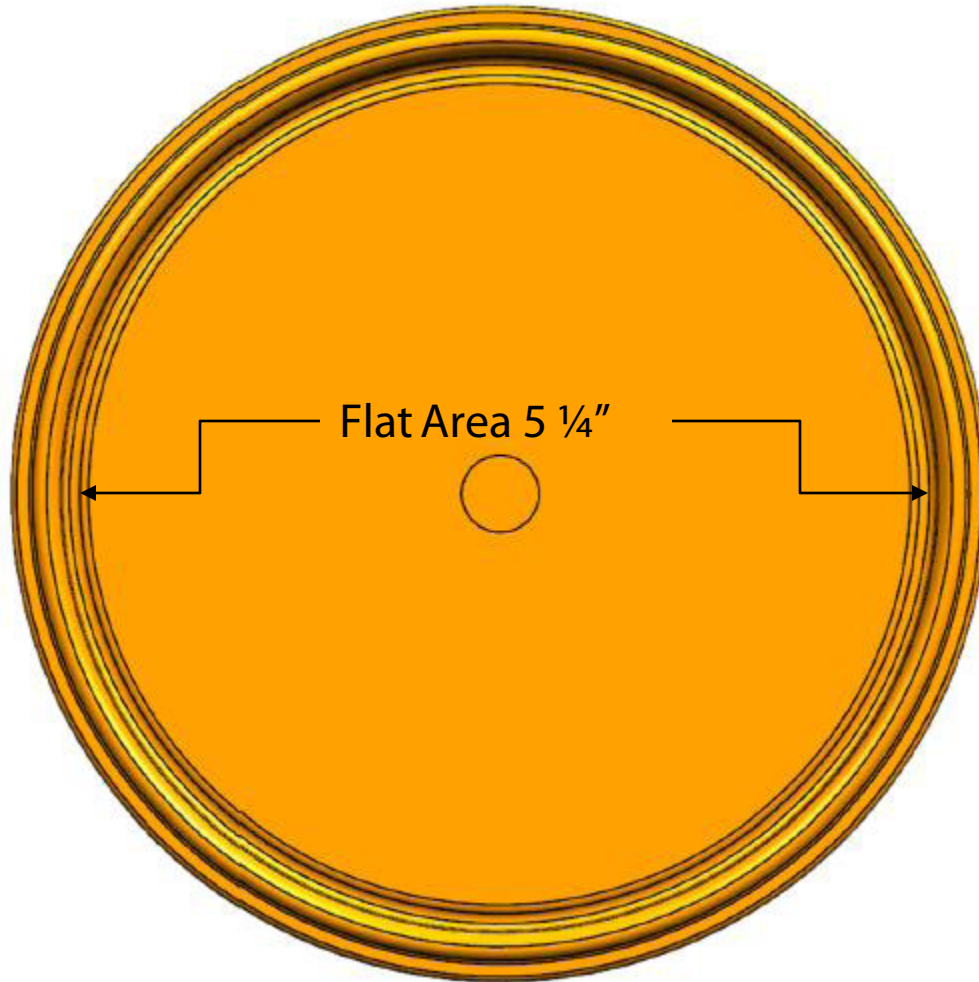
Can
Height
7.81"

Can Body O.D. 6 5/8"

Label Flange O.D. 6.64"



Dimensions



Supplied By: **The Cary Company**

Ph: 630-629-6600

www.thecarycompany.com