

# IF YOU...



MIX IT. FILL IT. PACK IT. SHIP IT.

# WE HAVE A **PRODUCT** FOR YOU

Part # 30WL13

---

---



## TECHNICAL DATA SHEET

Date: 3/11/2015    Version: 4

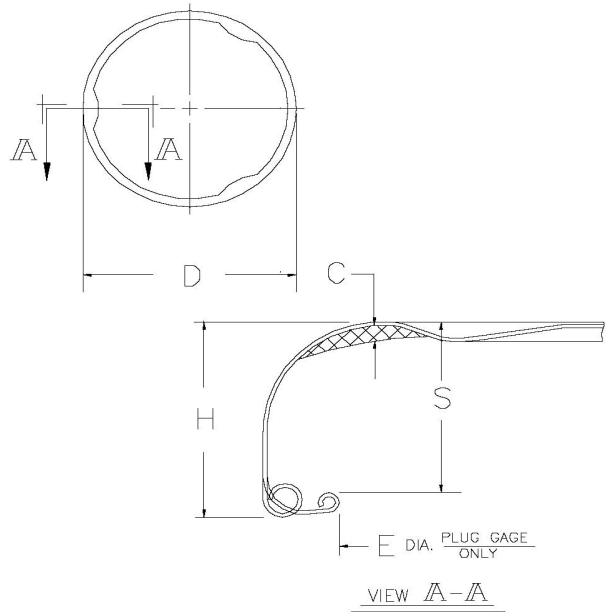
### Cap size: 38 mm (KA-38-S1,S22,S25/S-1700)

**Description:** Twist cap with flip panel, made for sealing glass jars containing food or juice

#### DIMENSIONS

**Glass Finish:** GPI 2000

<b>D (Outside Dia.)</b>	1.663" Max
<b>E (Plug Dia.)</b>	1.383 / 1.394"
<b>H (Overall Height)</b>	.372 / .392"
<b>C (Compound Thickness)</b>	.022 / .047"
<b>S (Dist. To top of Lug)</b>	.329 / .344"
<b>Pull Down Max</b>	15 in Hg



#### Materials

**Electrolytic tin plate or Tin free steel**

- Minimum Nominal Thickness: .00605"

#### Interior Coating

- Food grade interior coating system specified according to product requirement. (FDA compliant)

#### Exterior Coating

- White, clear or gold base coat with over varnish as required
- Printing decoration according to customer specification.

#### Compound

- Food grade plastisol according to thermal process (pasteurization, hot fill and cool, dry seal, retort) and product type (oily and non-oily). (FDA compliant)

	Yes	No	NOTES:
<b>Pasteurization***</b>	X		1)
<b>Hot Fill***</b>	X		2)
<b>Retort***</b>		X	3)

#### PACKAGING

Carton		Pallet	
Size (in)	20x11.5x16	Size (in)	40 x 48
Caps Qty.	3600	Cartons per pallet	40
Gross Weight	38.0 lbs.	Caps per pallet	144,000

**Note:** Quantity of closures in cartons may vary dependent upon manufacturing plant.

**Stacking:** Cap cartons should not be stacked more than 2 pallets high

**Storage conditions:** Temperature range from 40-86°F (5-30°C) - relative humidity below 70%.

Closures should be used within 2 years of the manufacturing date on the carton (Deviation granted under Crown's approval).

#### DISCLAIMER AND CONFIDENTIALITY

Nothing in this Technical Data Sheet shall be construed as a representation or warranty. All representations and warranties are contained in the Terms and Conditions or the negotiated contract, as applicable. The manufacturer is not responsible for use conditions deviating from the limitations given in this Technical Data Sheet unless agreed beforehand in writing.

The  
**CARY COMPANY**  
Est. 1895