

# IF YOU...



MIX IT. FILL IT. PACK IT. SHIP IT.

# WE HAVE A PRODUCT FOR YOU



## 63mm 63-2030 White Metal Lug Cap w/ Plastisol Liner

*Product Category: Metal Lug Caps*

Part #	30WL15
Neck Width	63 mm
Neck Finish	63-2030
Liner Compatability	Glass
Sealing Characteristics	Tamper Indicating
Color	White
Material	Tinplate
Case Pack	1,300 ea.
Pallet Pack	42,000 ea. (40 Cases)
Case Weight	29 lbs.
FDA Approved	Yes
BPA Free	Yes
Country of Manufacture	United States
Industries	Food & Beverage

**TECHNICAL DATA SHEET**

Date: 1/28/2016 Version: 3

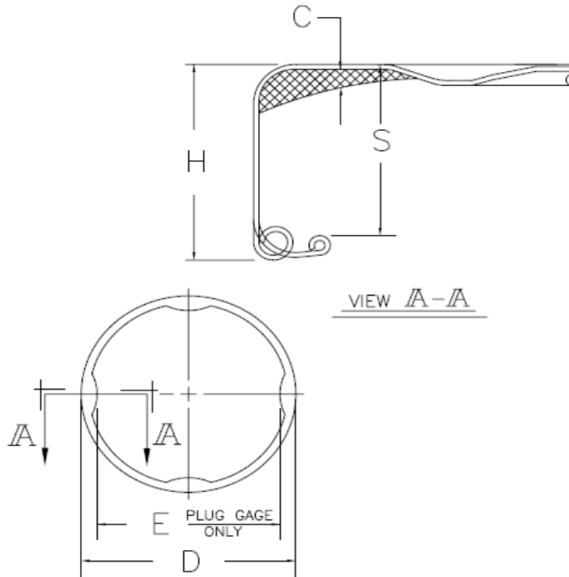
**Cap size: 63mm Twist Cap (KA-63-S1 / S-954-1)**

**Description:** Twist cap with no flip panel, made for sealing glass jars containing food or juice

**DIMENSIONS**

**Glass Finish:** GPI 2030

<b>D (Outside Dia.)</b>	2.607/2.622"
<b>E (Plug Dia.)</b>	2.337/2.352"
<b>H (Overall Height)</b>	.362/.382"
<b>C (Compound Thickness)</b>	.022/.044"
<b>S (Dist. To top of Lug)</b>	.317/.337"



**Materials**

**Electrolytic tin plate or Tin free steel**

- Minimum Nominal Thickness: .00605"

**Interior Coating**

- Food grade interior coating system specified according to product requirement. (FDA compliant)

**Exterior Coating**

- White, clear or gold base coat with over varnish as required
- Printing decoration according to customer specification.

**Compound**

- Food grade plastisol according to thermal process (pasteurization, hot fill and cool, dry seal, retort) and product type (oily and non-oily). (FDA compliant)

**USE CONDITIONS**

Operating Guidelines and SOP's form an integral part of the closure specification. No responsibility can be taken if these instructions are not followed. **Note:** Please contact us for more information regarding: aggressive and high acid content products; recommended operating procedure for hand or dry application with and without thermal treatment.

	Yes	No	NOTES:
<b>Pasteurization***</b>	x		1) Can also be cold-filled
<b>Hot Fill***</b>	x		2)
<b>Retort***</b>		x	3)

\*\*\*Note: will recommend the compound and coating system but the consumer must make the final decision.

**PACKAGING**

Carton		Pallet	
Size (in)	20 x 11.5 x 16	Size (in)	40 x 48
Caps Qty.	1300	Cartons per pallet	40
Gross Weight	28.5 lbs.	Caps per pallet	52,000

**Note:** Quantity of closures in cartons may vary dependent upon manufacturing plant.

**Stacking:** Cap cartons should not be stacked more than 2 pallets high

**Storage conditions:** Temperature range from 40 - 86°F (5 - 30°C) - relative humidity below 70%.

Closures should be used within 2 years of the manufacturing date on the carton (Deviation granted under Crown's approval).

**DISCLAIMER AND CONFIDENTIALITY**

Nothing in this Technical Data Sheet shall be construed as a representation or warranty. All representations and warranties are contained in Terms and Conditions or the negotiated contract, as applicable. We are not responsible for use conditions deviating from the limitations given in this Technical Data Sheet unless agreed beforehand in writing.