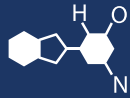


IF YOU...



MIX IT. FILL IT. PACK IT. SHIP IT.

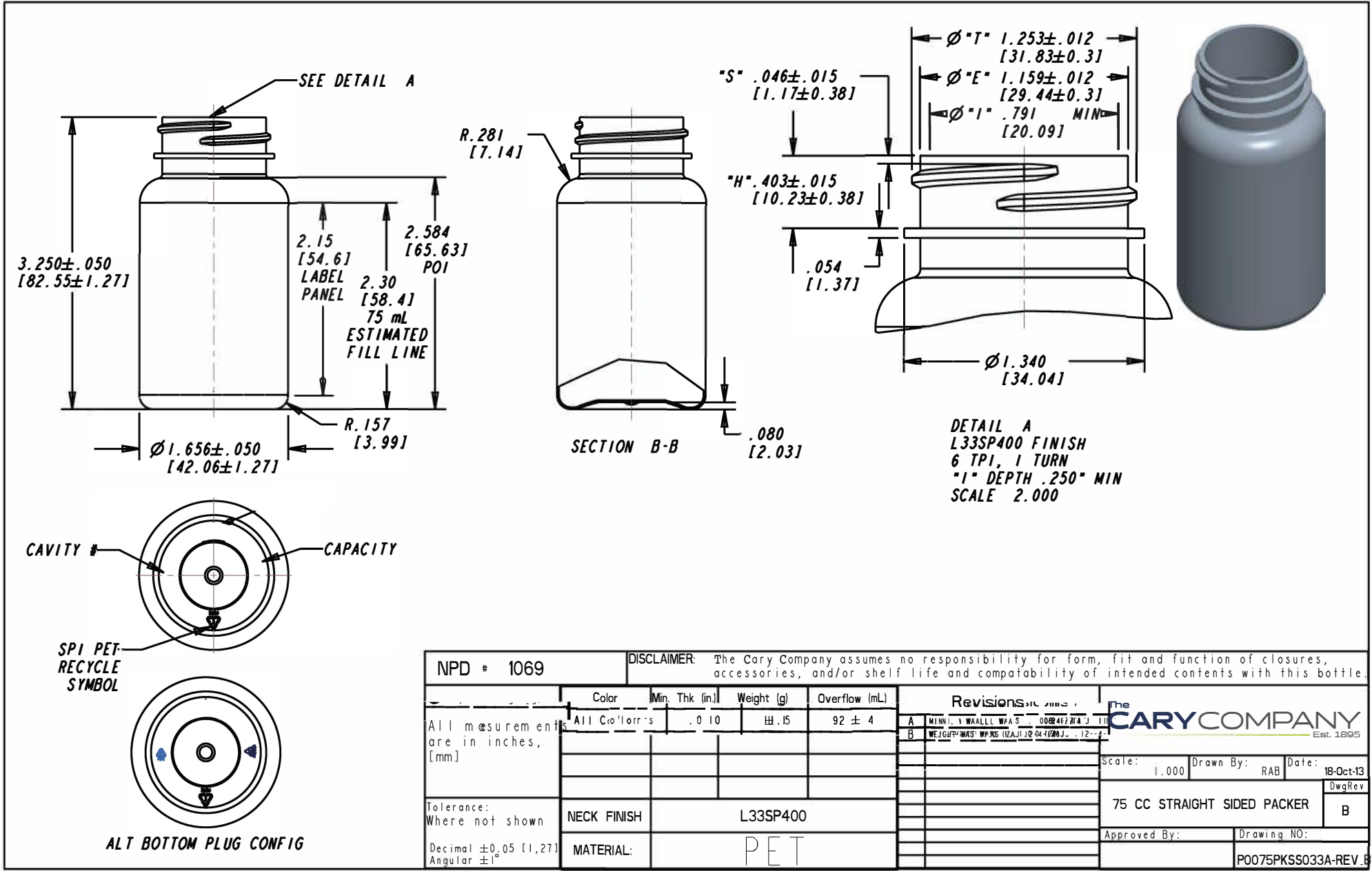
WE HAVE A PRODUCT FOR YOU

Part #: 30WLA0



The
CARYCOMPANY
Est. 1895

1195 W. Fullerton Ave. | Addison, IL 60101 | T: 630.629.6600 | F: 630.629.3690 |



NPD # 1069

DISCLAIMER: The Cary Company assumes no responsibility for form, fit and function of closures, accessories, and/or shelf life and compatibility of intended contents with this bottle.

Color	Min. Thk (in)	Weight (g)	Overflow (mL)	Revisions	
All Colors	.010	11.15	92 ± 4	A	MINI WALL WA S 0084627A J 11
				B	WEIGHT WAS 12.21 12-04-13

All measurements are in inches, [mm]

Tolerance: Where not shown

Decimal ±0.05 [1.27]

Angular ±1°

NECK FINISH	L33SP400	<p>Scale: 1.000 Drawn By: RAB Date: 18-Oct-13</p> <p>75 CC STRAIGHT SIDED PACKER</p> <p>Approved By: Drawing NO: B</p> <p>P0075PKSS033A-REV B</p>
MATERIAL:	PET	