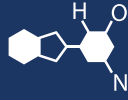


IF YOU...



MIX IT. FILL IT. PACK IT. SHIP IT.

WE HAVE A PRODUCT FOR YOU

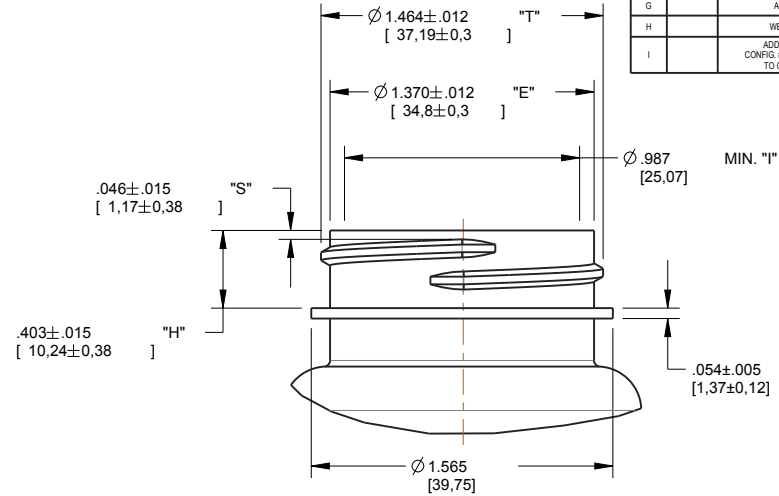
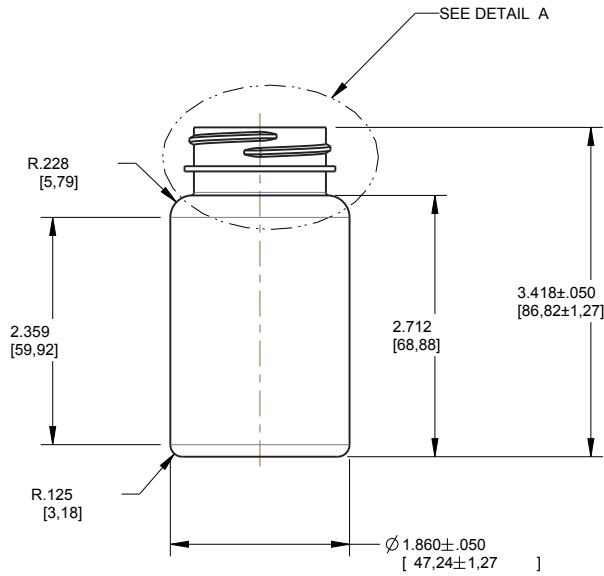
Part #: 30WLA1



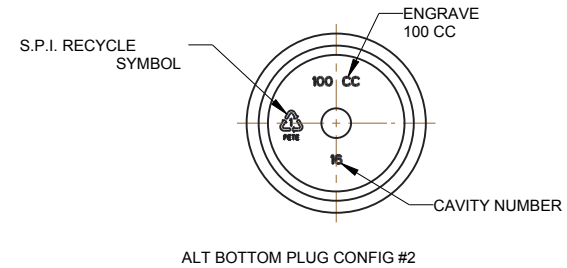
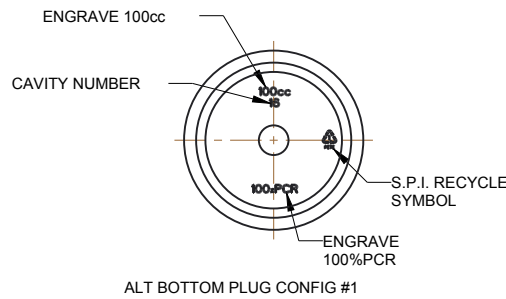
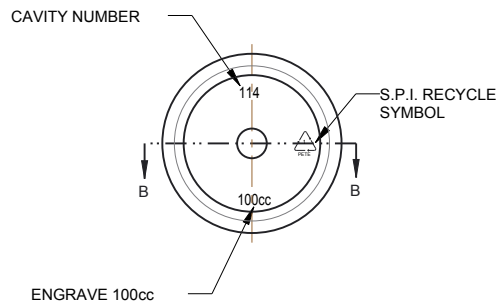
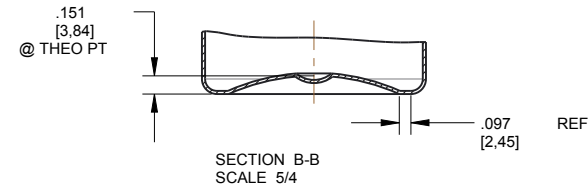
The
CARYCOMPANY
Est. 1895

1195 W. Fullerton Ave. | Addison, IL 60101 | T: 630.629.6600 | F: 630.629.3690 |

REV	E.C.N.	DESCRIPTION	BY	DATE
F		ADDED METRIC	SCT	27-APRIL-10
G		ADDED ALT. CONFIG.	SCT	04-NOV-10
H		WEIGHT WASH: 1.0g	SCT	17-SEPT-13
I		ADDED ALT. BOTTOM PLUG CONFIG. #2 AND UPDATED DRAWING TO CURRENT STANDARDS	JA2	01-FEB-18



DETAIL A
L38-400 NECK FINISH
6 T.P.I., 1 THREAD TURN
.250 MIN. "I" DEPTH
SCALE 2/1



DISCLAIMER: The Cary Company assumes no responsibility for form, fit and function of closures, accessories, and/or shelf life and compatibility of intended contents with this bottle.			
Specification General: All measurements are in inches, [mm] Base engraving is subject to change location & size.	Min. Thk (in.)	Weight (g)	Overflow (mL)
	.010	16 ± 3.0g	124 ± 5.0cc
	.010	21 ± 3.0g	119 ± 5.0cc
	.010	24 ± 3.0g	116 ± 5.0cc
Tolerance where not shown: Decimal ±0.05 [1.27] Angular ±1°	NECK FINISH:	L38-400	
	MATERIAL:	PET	

The CARY COMPANY <small>EST. 1995</small>			
Scale: NPD #	Drawn By:	Date:	Dwg/Rev
111	SCT	25-JULY-00	I
Approved By:		Drawing Number:	
SJ		100PS1XX38L400	