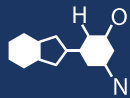


IF YOU...



MIX IT. FILL IT. PACK IT. SHIP IT.

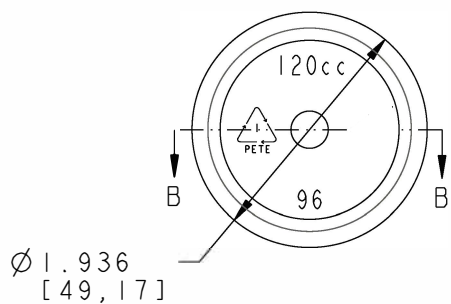
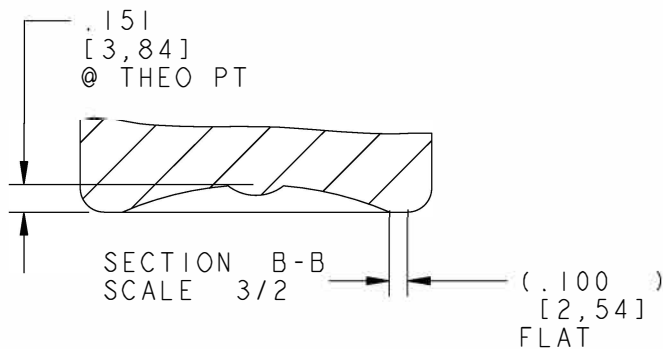
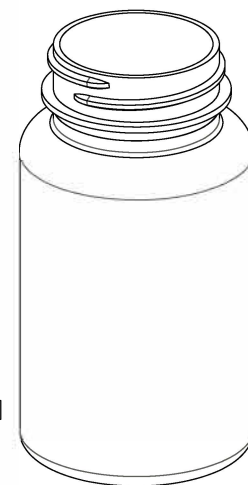
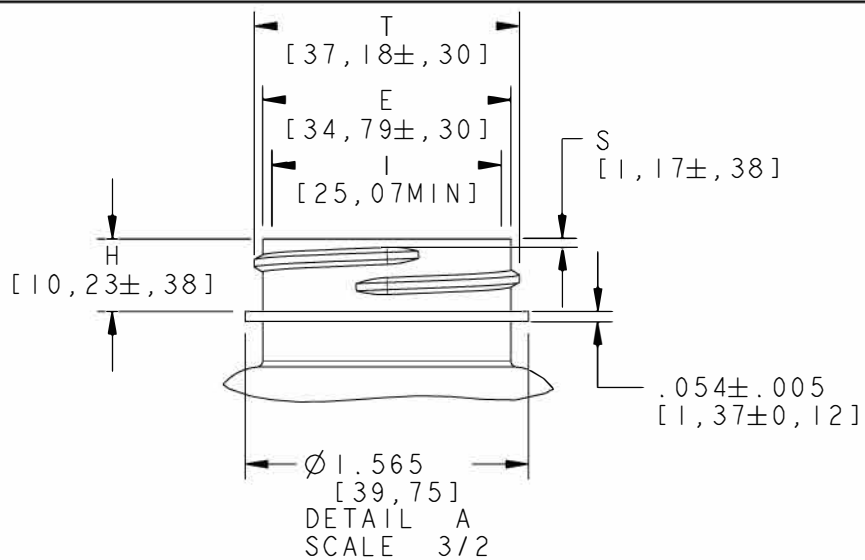
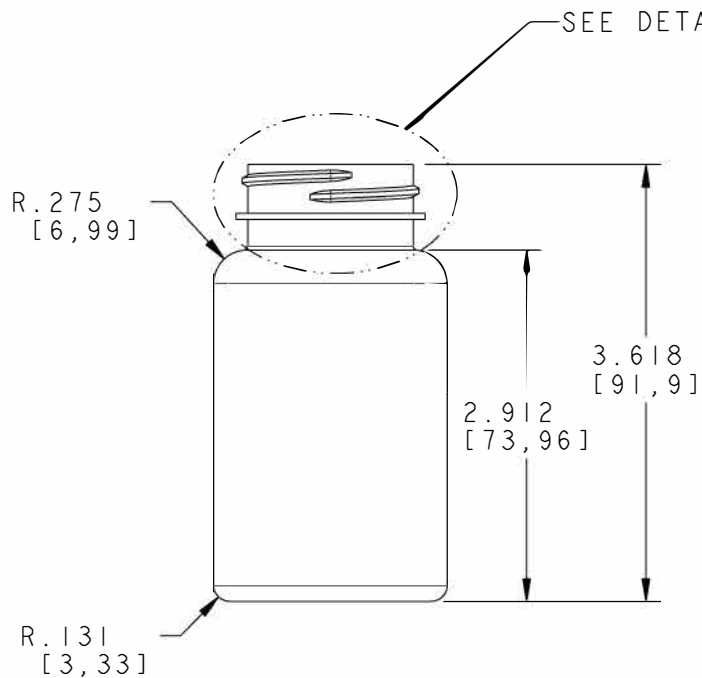
WE HAVE A PRODUCT FOR YOU

Part #: 30WLA2



The
CARYCOMPANY
Est. 1895

1195 W. Fullerton Ave. | Addison, IL 60101 | T: 630.629.6600 | F: 630.629.3690 |



Neck Finish: L38SP400		DISCLAIMER: The CARY Company assumes no responsibility for form, fit and function of closures, accessories, and/or shelf life and compatibility of intended contents with this bottle.				
All measurements are in inches, [Metric]	Min Thk	Color	Weight	Std. Pack	Revisions	
	.010 [25]	All Colors	21 Gms±3	576, Stack	E Add Metric 4/30/10, sct	The CARY COMPANY Est 1895
.010 [25]	All Colors Heavy Gram 150 P	24 Gms±3	450, Bulk	F Rmv 16g, wt was ±1.9/17/13, sct	Scale: 1/1	
Neck Dimensions:		Tolerance: Where not shown			Date: 07-25-00	
T = 1.464±.012		Decimal ±0.05 [1,27]			DwgRev	
E = 1.370±.012		Angular ±1°			120cc PACKER, STRAIGHT SIDED, 38-400 CT, PET	
H = .403±.015		Material: PET			Approved By: SJ	
I = .987 MIN		Overflow Capacity: 142 ml ± 5			Drawing NO: 120PS1XX38L400	
S = .046±.015						