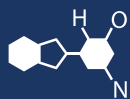


IF YOU...



MIX IT. FILL IT. PACK IT. SHIP IT.

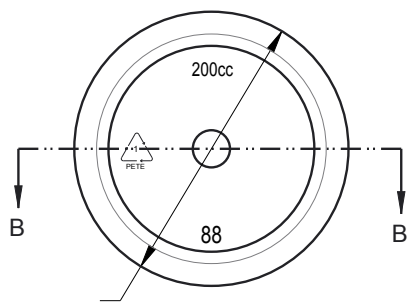
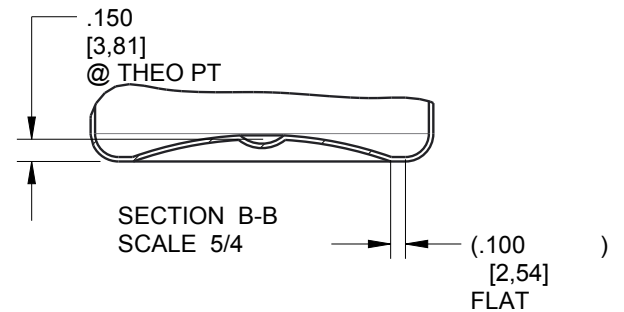
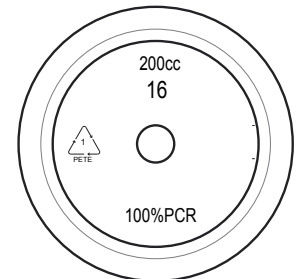
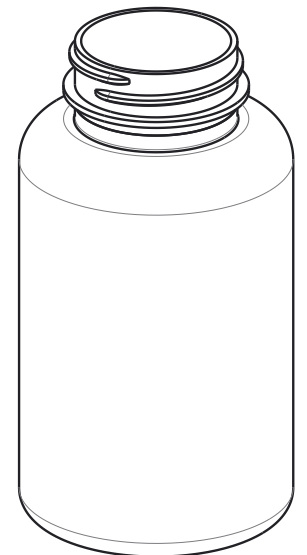
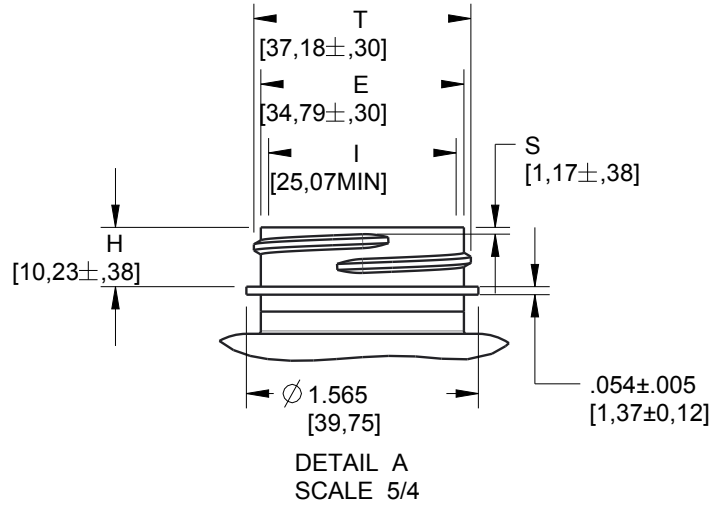
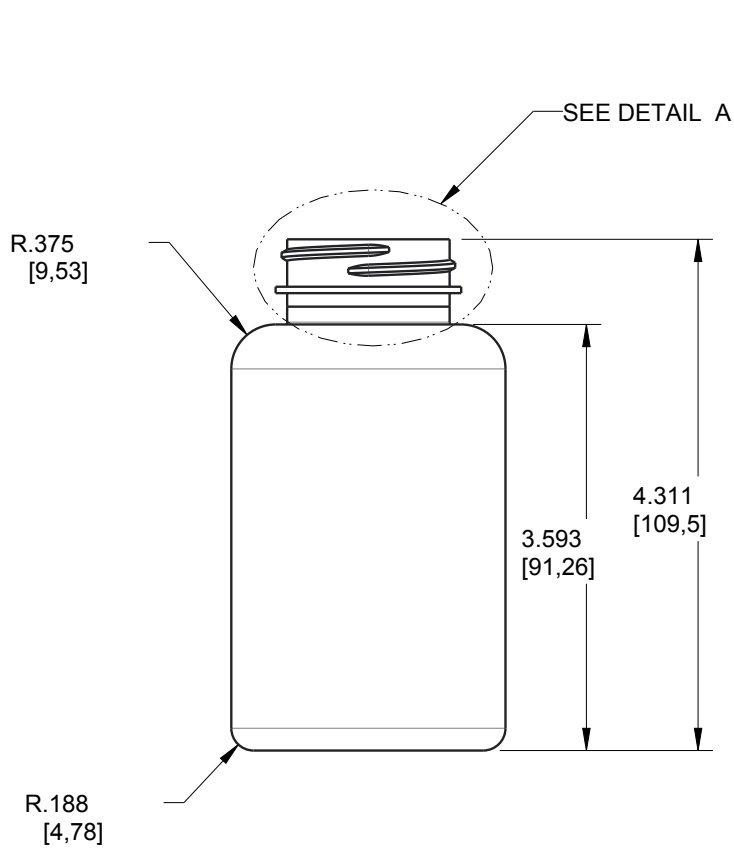
WE HAVE A PRODUCT FOR YOU

Part #: 30WLA5



The
CARYCOMPANY
Est. 1895

1195 W. Fullerton Ave. | Addison, IL 60101 | T: 630.629.6600 | F: 630.629.3690 |



Neck Finish: L38SP400								
Special Instructions:		Color	Weight	Std. Pack	Revisions		The CARY COMPANY EST. 1895	
	.012[.30]	All Colors	24 Gms± 3	335, Stack	F	Qch was 4 281 01-24-07.sct	Scale: 1/1 Drawn By: SCT Date: 05/29-08	
	.014[.35]	All Colors	26 Gms± 3	310, Bulk	G	Add Metric 5/3/10.sct		
					H	Add 260 6/7/10.sct		
					J	Add Alt Config 11/4/10.sct		
					K	WT was +1.9/17/13.sct		
Neck Finish:					Tolerance: Where not shown Decimal ±0.050 Angular ±1°		200cc, PACKER, STRAIGHT, 38-400 CT, PET 200S38PET	
Neck Dimensions: T = 1.464±.012 E = 1.370±.012 H = .403±.015 I = .987 MIN S = .046±.015		Overflow Capacity: 241 ml ± 7		Material: PET Polyethylene Terephthalate		Approved By: SJ		DwgRev: K Drawing NO: 200PS1XX38L400