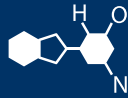


IF YOU...



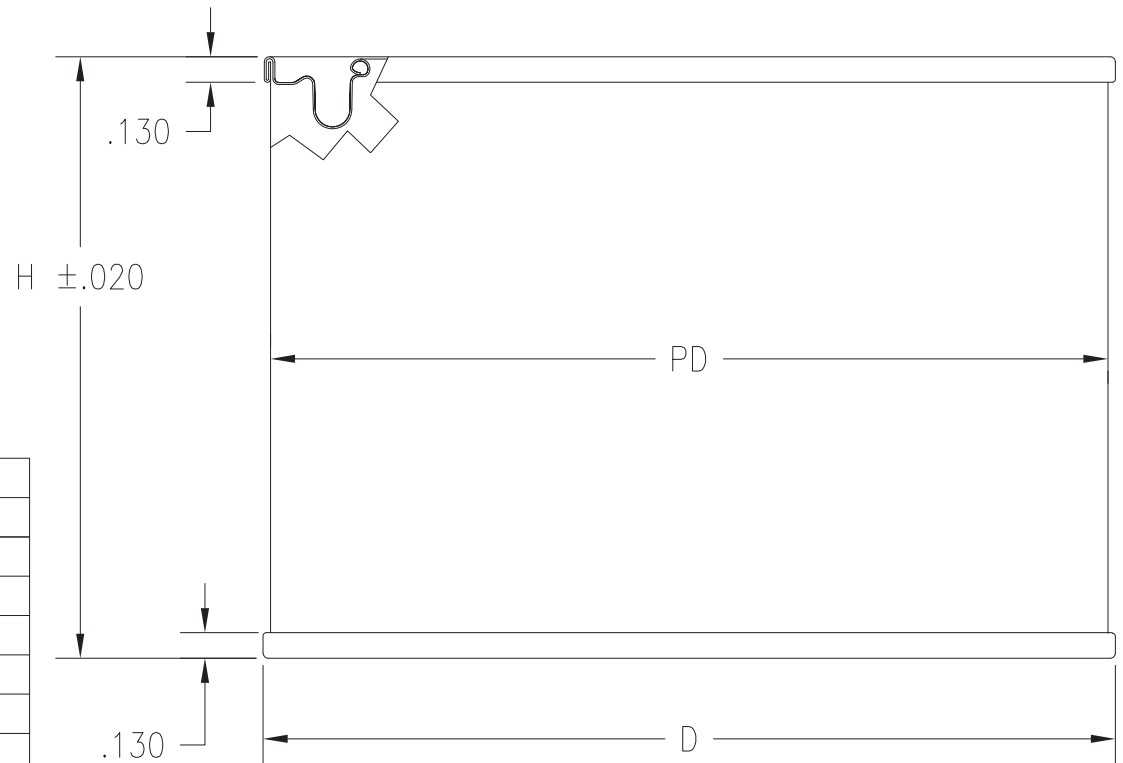
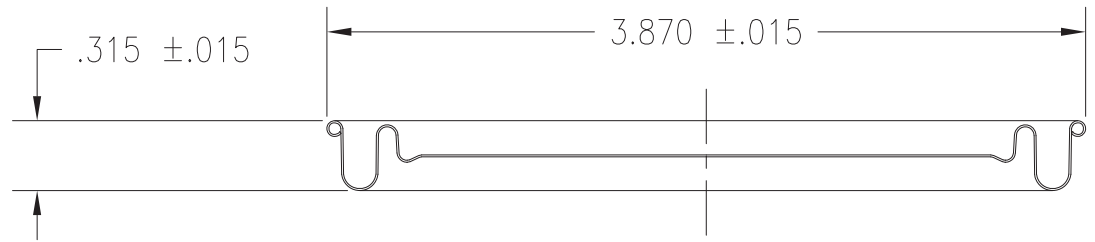
MIX IT. FILL IT. PACK IT. SHIP IT.

WE HAVE A PRODUCT FOR YOU



Part #	30WLIT
Capacity	1 Liter
Color	Silver
Material	Metal
Closure	Lid
Lining	Rust Inhibitor Enamel
Dimensions	4.240" Dia. x 5.165"H
Case Pack	112 ea.
Pallet Pack	1,792 ea. (16 Cases)





REFERENCE DIMENSIONS

CAN	D	PD	H	
404 X 112.5	4.240	4.139	1.781	
404 X 202	4.240	4.139	2.035	
404 X 204	4.240	4.139	2.250	
404 X 208	4.240	4.139	2.500	
404 X 210	4.240	4.139	2.625	
404 X 211	4.240	4.139	2.680	
404 X 306	4.240	4.139	3.375	
404 X 307.5	4.240	4.139	3.469	
404 X 404	4.240	4.139	4.250	
404 X 414	4.240	4.139	4.850	QUART
404 X 502 (108x130,2)	4.240 (107,7)	4.139 (105,1)	5.165 (131,2)	LITER



PH 630-629-6600 - FX 630-629-3690
 1195 W. FULLERTON AVE. - ADDISON, IL 60101
 WWW.THECARYCOMPANY.COM

PRODUCT DRAWING
 WELDED SIDE SEAM
 404 DIAMETER PAINT CANS

DRAWN BY:	SCALE	REV. BY	NO.	DATE	REVISION DESCRIPTION
JDD	~	WTB	D	02-12-99	CORRECTED O.C.R. AND PLUG, ADDED 112.5 AND 404 HEIGHTS
CHECKED BY:	DATE	J.Zavala	E	2-12-04	REVISED PLUG DIMENSIONS: .315 WAS .275, 3.870 WAS 3.860
WTB	02-23-98				

APPROVED BY:	LOCATION	SUPERCEDES	MATERIAL	PRINT NO.	REV.
				PD404-1-001	F