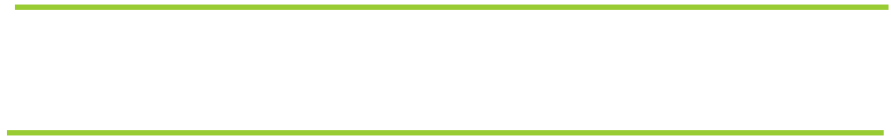


# IF YOU...



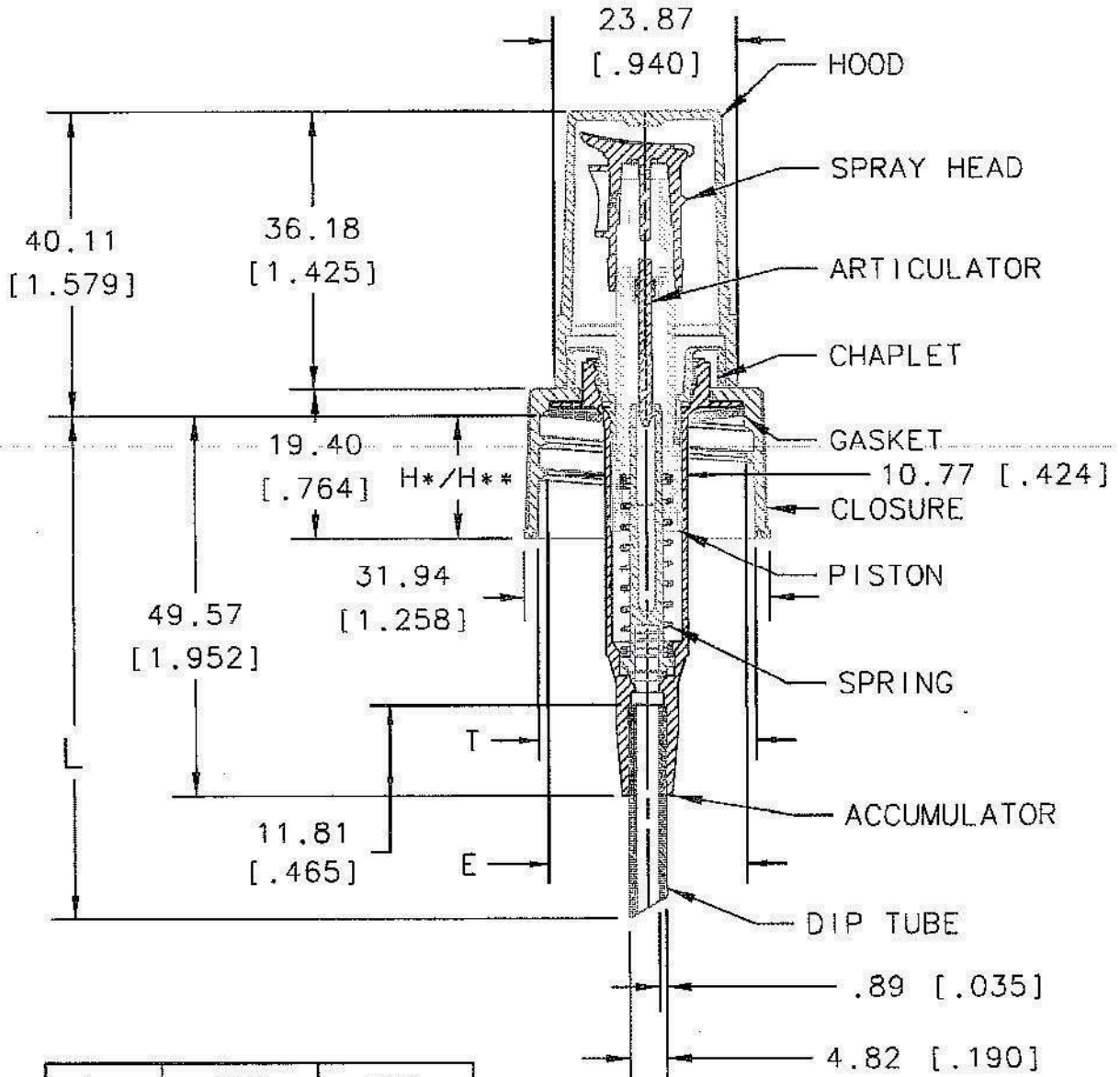
MIX IT. FILL IT. PACK IT. SHIP IT.

# WE HAVE A PRODUCT FOR YOU



Part #	30WM28
Neck Width	28mm
Neck Finish	28-410
Color	White
Material	PP





DIM	MIN	MAX
T	27.66[1.089]	28.01[1.103]
E	25.27[.995]	25.63[1.009]
H*	16.66[.656]	17.42[.686]
H**	16.41[.646]	17.17[.676]

\*TO COMPRESSED GASKET.  
 \*\*TO UNCOMPRESSED GASKET.

NOTES.- DUAL DIMENSION: mm{IN.}.

NOMINAL OUTPUT: .70 CC

30WM28	SSA SPRAYER <i>28/410</i>	
	CONFIGURATION: 28-410 RIBBED/HOOD/GASKET	DRWN: MW
		DRAWING NO. 2CSD00700



Supplied By: **The Cary Company**  
 Ph: 630-629-6600  
 www.thecarycompany.com