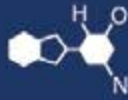


IF YOU...



MIX IT. FILL IT. PACK IT. SHIP IT.

WE HAVE A PRODUCT FOR YOU

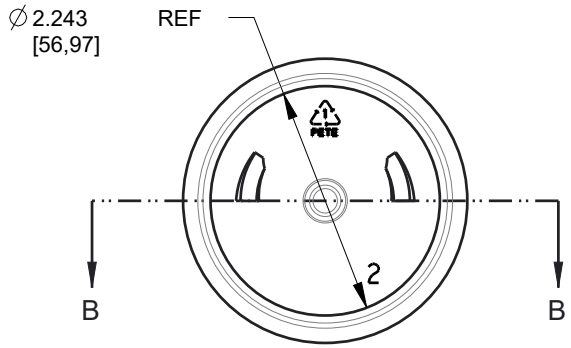
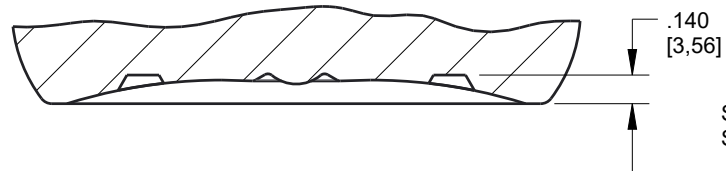
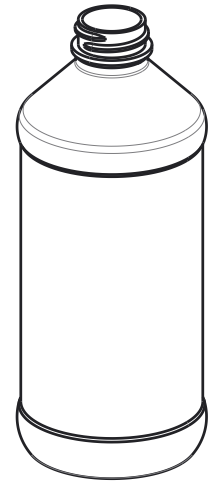
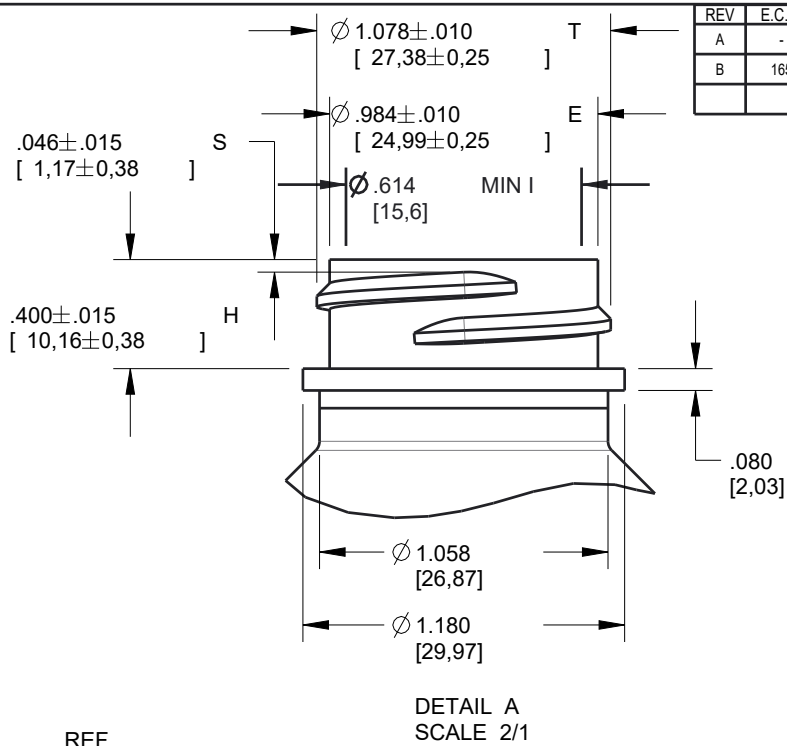
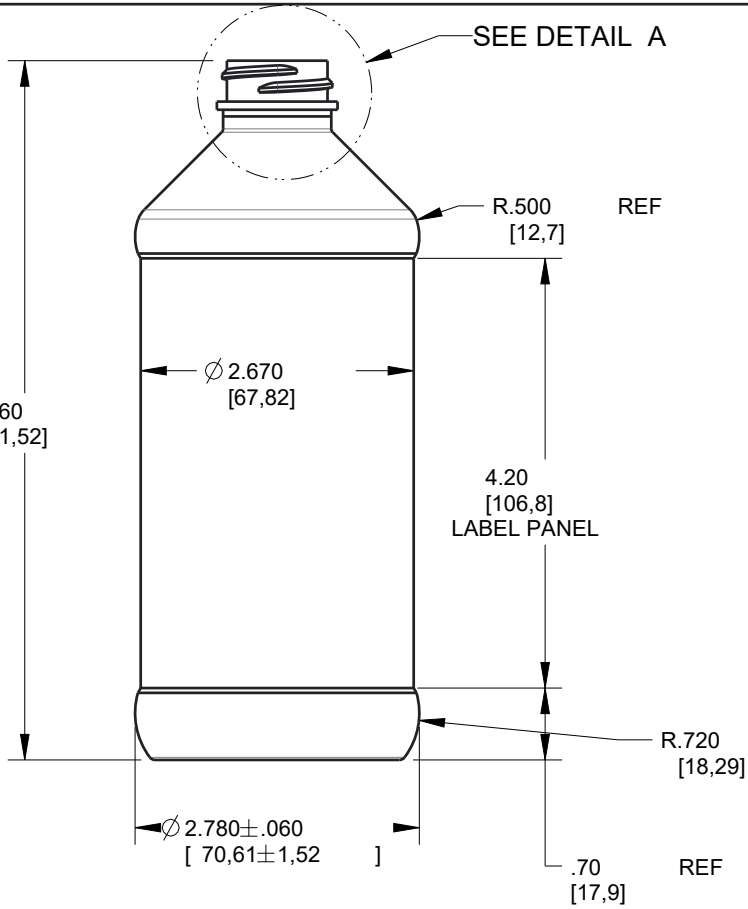
Part #: 30WM6W



The
CARYCOMPANY
Est. 1895

1195 W. Fullerton Ave. | Addison, IL 60101 | T: 630.629.6600 | F: 630.629.3690 |

REV	E.C.N.	DESCRIPTION	BY	DATE
A	-	WT (36g)	SCT	10-APR-03
B	165	WEIGHT TO H (1)	STB	21-JUL-17



©				DISCLAIMER: The Cary Company assumes no responsibility for form, fit and function of closures, accessories, and/or shelf life and compatibility of intended contents with this bottle.			
Specification General:	Min. Thk (in.)	Weight (g)	Overflow (mL)	The CARY COMPANY Est. 1905			
All measurements are in inches, [mm] Base engraving is subject to change location & size.	.012	37.± 3.0	51± 11	Scale:	NPD #:	Drawn By:	Date:
				3/4	N/A	SCT	12-JUN-02
Tolerance where not shown: Decimal ±0.05 [1,27] Angular ±1°	NECK FINISH:	M28-400		30WM6W - 16 OZ. MODERN ROUND			DwgRev
	MATERIAL:	PET		Approved By:			B
				Drawing Number:		SJ 16MR1XX28M400	