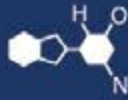


IF YOU...



MIX IT. FILL IT. PACK IT. SHIP IT.

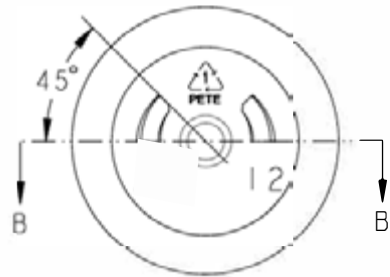
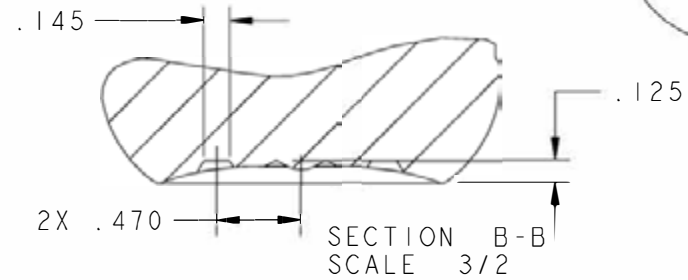
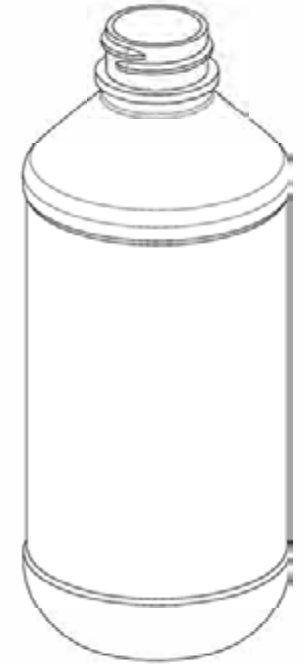
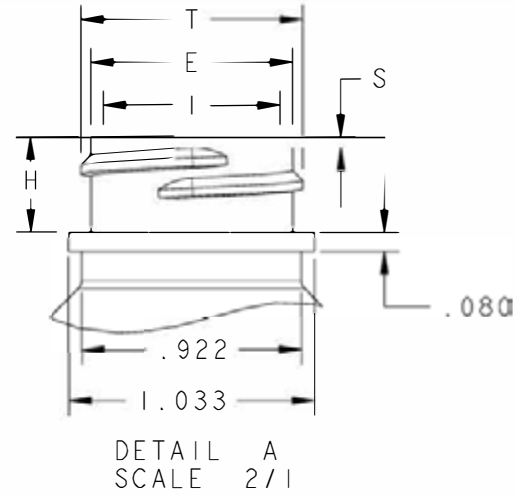
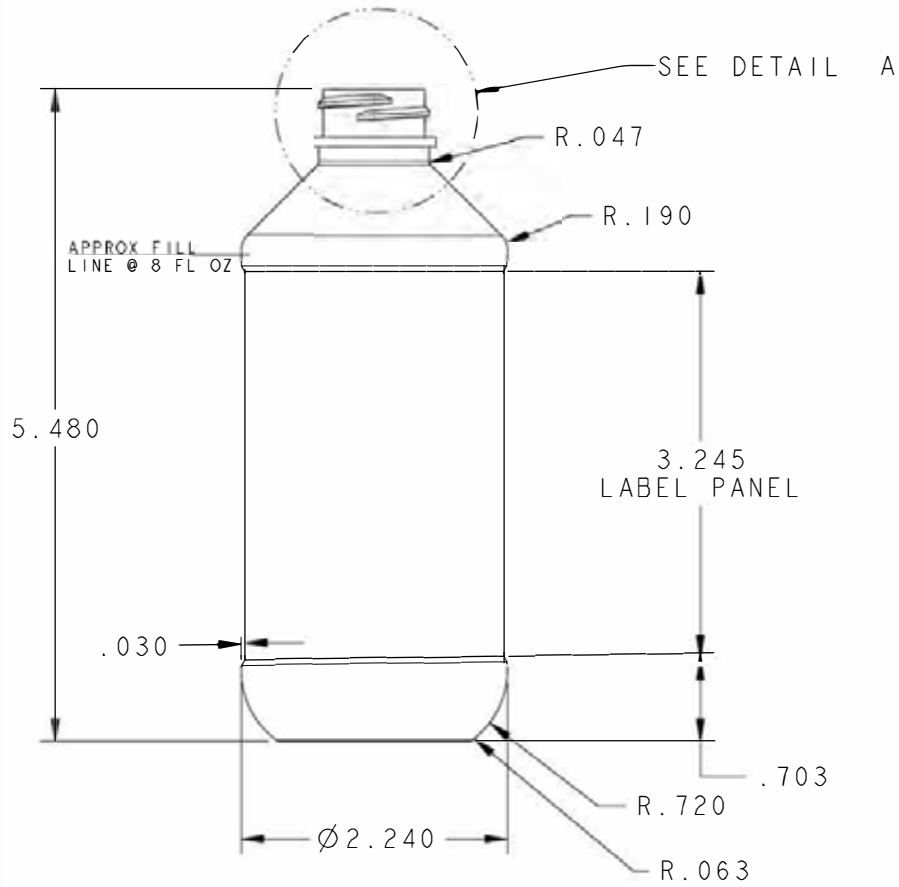
WE HAVE A **PRODUCT** FOR YOU

Part #: 30WM8A



The
CARYCOMPANY
Est. 1895

1195 W. Fullerton Ave. | Addison, IL 60101 | T: 630.629.6600 | F: 630.629.3690 |



Neck Finish: M24SP400		DISCLAIMER: The Cary Company assumes no responsibility for form, fit and function of closures, accessories, and/or shelf life and compatibility of intended contents with this bottle.				
All measurements are in inches	Min Thk	Color	Weight	Std. Pack	Revisions	
	.015	All Colors	26 Gms±1	280, Stack	The CARY COMPANY 30WM8A Scale:	
Neck Dimensions:				Tolerance: Where not shown Decimal ±0.050 Angular ±1°		8oz MODERN ROUND, PET, 24-400 8MR24400PET Approved By: SJ Drawing NO: 8MR1XX24M400
T = .932±.008 E = .848±.008 H = .400±.015 I = .516 MIN S = .046±.015				Material: PET		
Overflow Capacity: 26l ml ± 7						