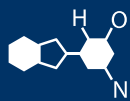


IF YOU...



MIX IT. FILL IT. PACK IT. SHIP IT.

WE HAVE A **PRODUCT** FOR YOU

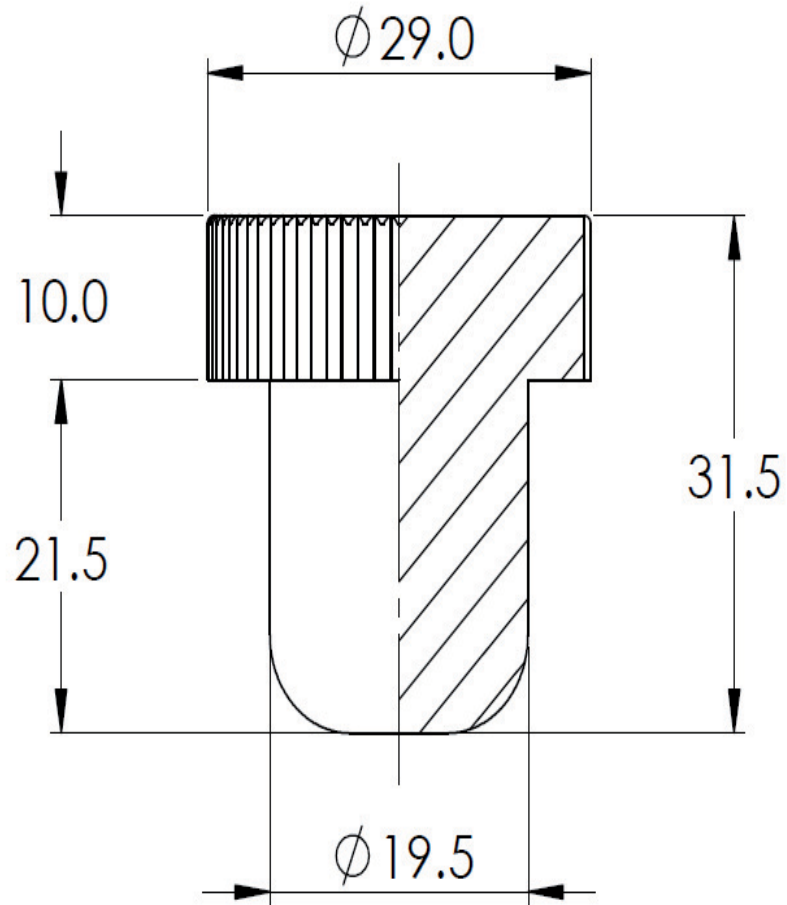
Part #30WMS2

Bar Top Closures

Monobloc Synthetic Bar Top Cork, 27 x 19.5 mm Shank



The
CARYCOMPANY
Est. 1895



CLOSURE ID: WC_2202160S

BT SYN Monobloc Knurled 19.5x29mm CH Black

HEIGHT: 31.5mm

SHANK DIAMETER: 19.5mm

PRESSURE RATING: Not rated for pressure