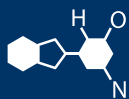


# IF YOU...



MIX IT. FILL IT. PACK IT. SHIP IT.

# WE HAVE A **PRODUCT** FOR YOU

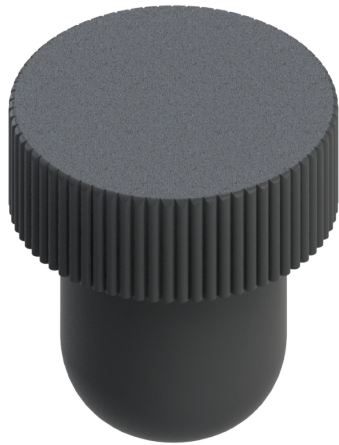
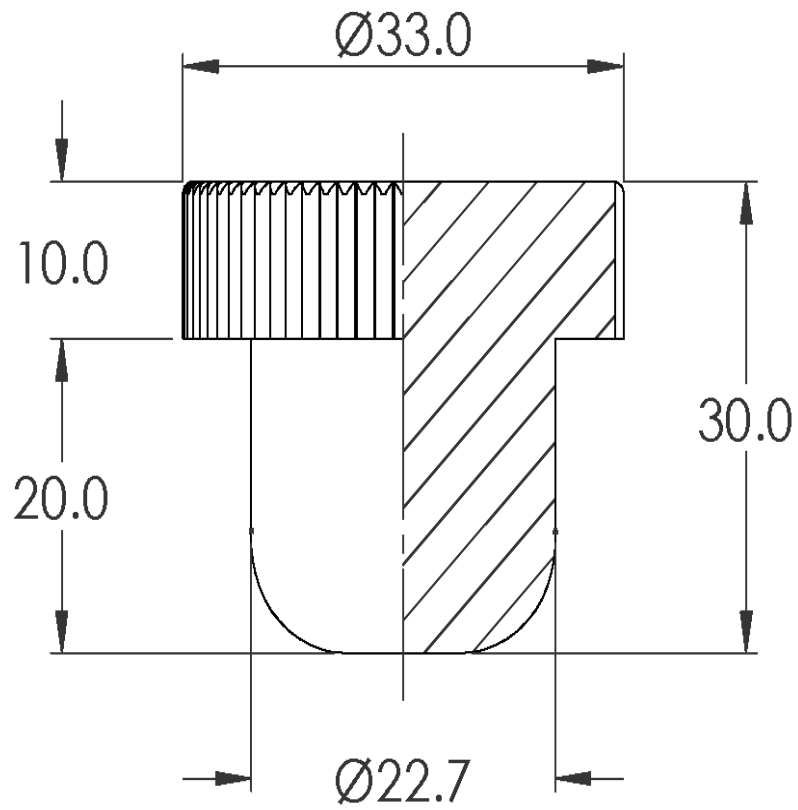
Part #30WMS3

Bar Top Closures

Monobloc Synthetic Bar Top Cork,  
33 x 22.5 mm Shank



The  
**CARY**COMPANY  
Est. 1895



HEIGHT: 30.0mm

SHANK DIAMETER: 22.7mm

PRESSURE RATING: Not rated for pressure