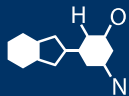


IF YOU...



MIX IT. FILL IT. PACK IT. SHIP IT.

WE HAVE A **PRODUCT** FOR YOU

Part # 30WN03

1 oz. (30cc) Natural HDPE Plastic Packer
Bottle, 33mm 33-400



8 7 6 5 4 3 2 1

D

D

C

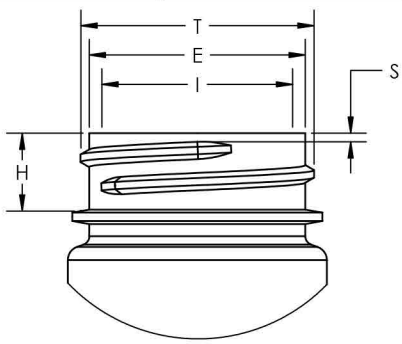
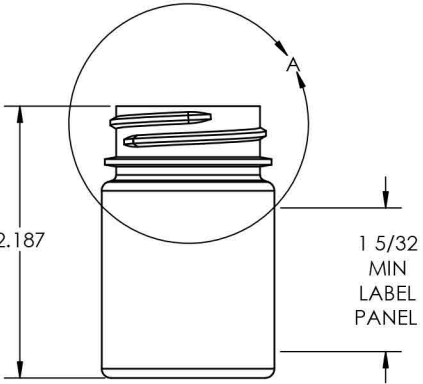
C

B

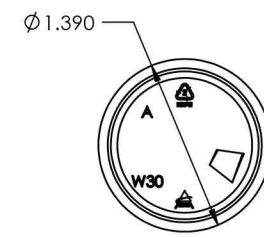
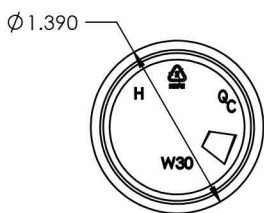
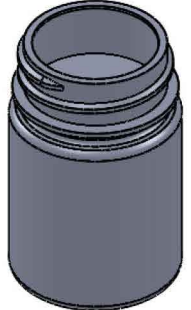
B

A

A



DETAIL A
SCALE 1.5 : 1



ALT BOTTOM ENGRAVING

The
CARY COMPANY
Est. 1895

Neck Finish: L33SP400 Special H		Disclaimer:				Revisions		SCALE: 1:1		Drawn By: SCT		Date: 06/27/09	
	Min Thk	Color	Weight	Std Pack									
Notes:	.015	All Colors	Standard/Stock Wt 6.5 Gms±1.0	1050, Bulk	A Add 7.5 gram weight, 3/9/10, sct								
MIN THK in Label Panel	.015	All Colors	Heavy Wt 7.5 Gms±1.0	1050, Bulk	B Add notes to grm wt, 7/1/11, sct						REV		
Label Panel Dim for Ref only											30cc PKR, ROUND 33-400 CT, HDPE, EBM		
Neck Dimension:					UNLESS OTHERWISE SPECIFIED						SIZE DWG. NO.		
T = 1.253 ± .012					TOLERANCES: DECIMAL ± .050						B 30WL33		
E = 1.159 ± .012					ANGULAR ± 1°						MATERIAL: HDPE		
H = .415 ± .015					DIMENSIONS ARE IN INCHES						SHEET 1 OF 1		
I = .791 MIN					APPROVED BY:		CR						
S = .046 ± .015					Overflow Capacity:		42 cc ± 3.0						

8 7 6 5 4 3 2 1