

IF YOU...

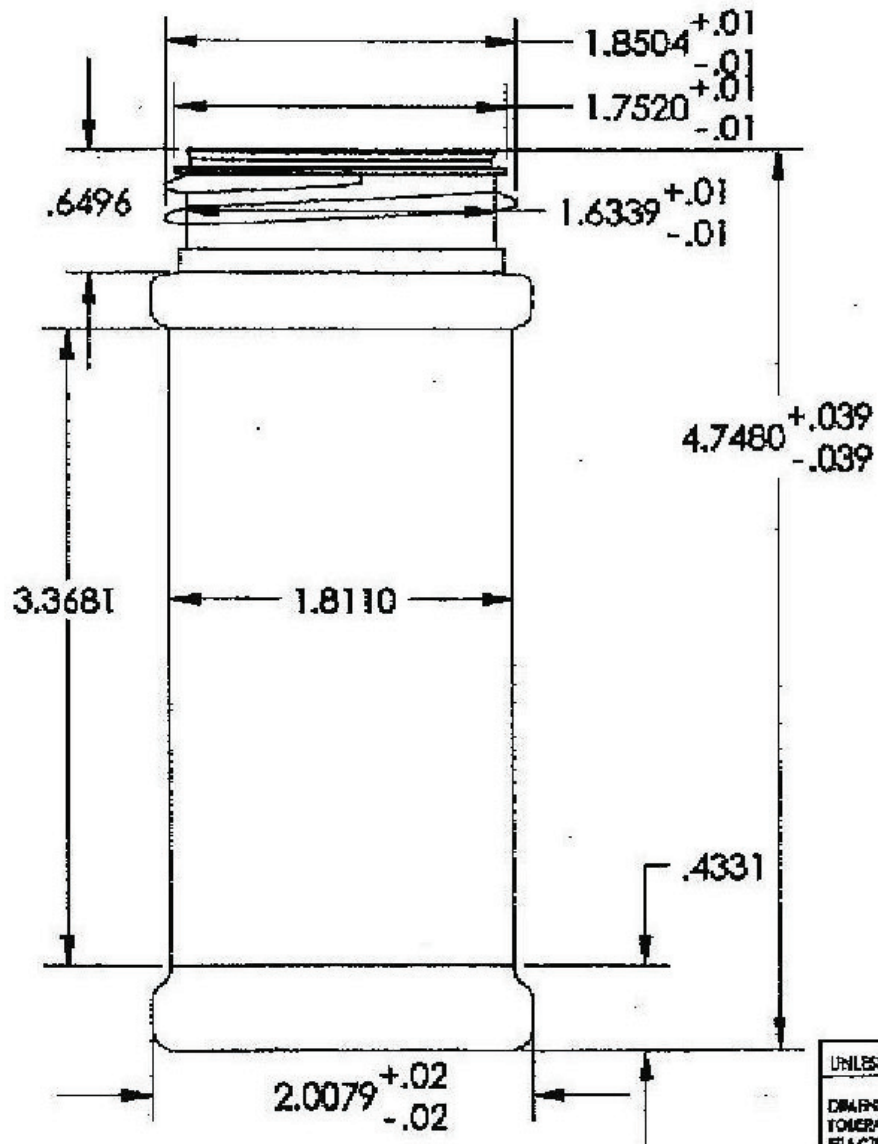


MIX IT. FILL IT. PACK IT. SHIP IT.

WE HAVE A **PRODUCT** FOR YOU

Part # 30WP05





The
CARYCOMPANY
Est. 1895

Supplied By: The Cary Company
Ph: 630-629-6600
www.thecarycompany.com

UNLESS OTHERWISE SPECIFIED:

DIMENSIONS ARE IN INCHES
TOLERANCES:
FRACTIONAL: 1/16
ANGULAR: MACH: BEND: ±
TWO PLACE DECIMAL ±.05
THREE PLACE DECIMAL ±.005

INTERPRET GEOMETRIC
TOLERANCING PER

MATERIAL
PET

FINISH
48SP485

DO NOT SCALE DRAWING

30WP05

COMMENTS:

O'FLOW: 181.0 ± 4.0cc

TITLE:

5.5oz. SPICE JAR 48SP485

SIZE A	DWG. NO. 100055SJ	REV A
------------------	-----------------------------	-----------------

SCALE: 1:1	WEIGHT: 24.0 ± 1.0gms	SHEET 1 OF 1
------------	-----------------------	--------------