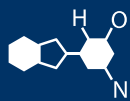


IF YOU...



MIX IT. FILL IT. PACK IT. SHIP IT.

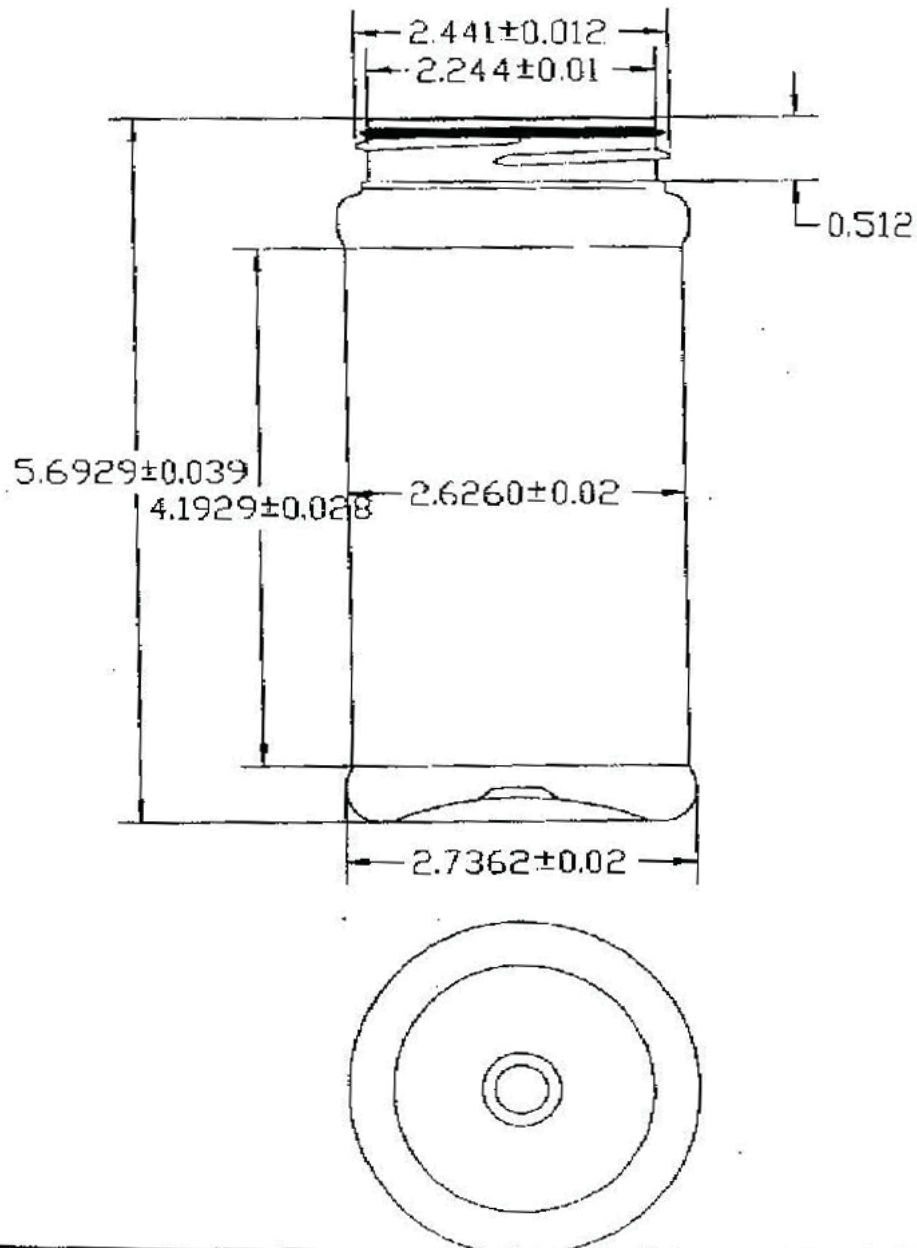
WE HAVE A **PRODUCT** FOR YOU

Part # 30WP12



Supplied By: **The Cary Company**
 Ph: 630-629-6600
 www.thecarycompany.com

The
CARY COMPANY
 Est. 1895



SPECIFICATIONS NECK FINISH 63SP485		
KEY	MAX	MIN
T	2.453	2.429
F	2.254	2.234
H	0575	
S	0.107	0.097
I	-	2.112

Bottle 16oz (16oz Jar 63SP485)		
SCALE: 2:3	DRAWN BY: AS	MAT: PET
DATE: 03-21-03	APP'D BY: <i>for August</i>	DWG #100016CJ
WEIGHT: 37 ± 1gm	O'FLOW: 475 ± 6cc	REV. #: