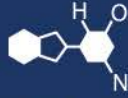


IF YOU...



MIX IT. FILL IT. PACK IT. SHIP IT.

WE HAVE A **PRODUCT** FOR YOU

Part #: 30WP25

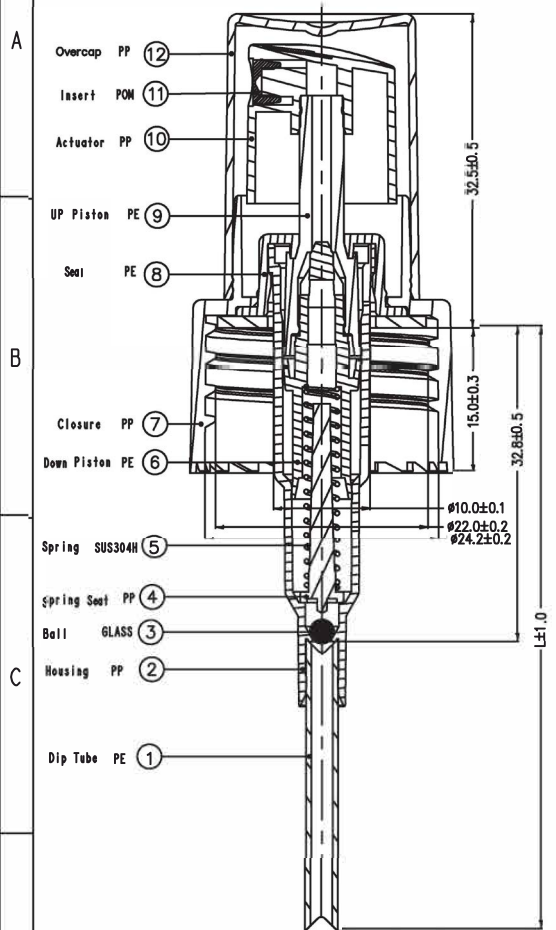


The
CARYCOMPANY
Est. 1895

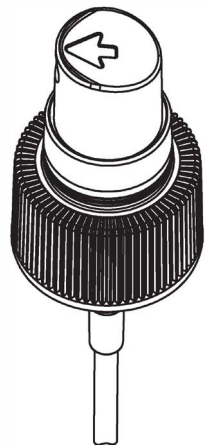
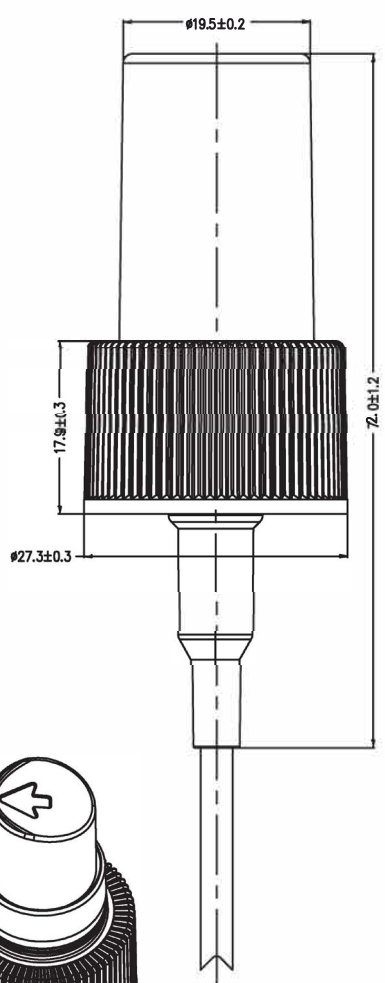
1195 W. Fullerton Ave. | Addison, IL 60101 | T: 630.629.6600 | F: 630.629.3690 |

K

3		4	
MARK	REVISER	DESCRIPTN	DATE



- Overcap PP (12)
- Insert POM (11)
- Actuator PP (10)
- UP Piston PE (9)
- Seal PE (8)
- Closure PP (7)
- Down Piston PE (6)
- Spring SUS304H (5)
- Spring Seat PP (4)
- Ball GLASS (3)
- Housing PP (2)
- Dip Tube PE (1)



Discharge Rate: 0.20 ± 0.02 ml/T

F	TOLERANCE			○	DRAFTER:	UNIT: mm	The CARY COMPANY Est. 1895	
	0mm-15mm	±0.05	±0.10	±0.50		CHECKED:	MODEL NAME:	TITLE: 30WP25 White Assembly
	15mm-30mm	±0.05	±0.15	±1.00	SENSOR:	SCALE:	VISUAL ANGLE	Q'TY:
	30mm-50mm	±0.10	±0.20	±1.50		APPROVED:	PART NO:	1/1
	50mm-99mm	±0.15	±0.30	±2.00			FILE NO:	
	ABOVE 99mm	±0.20	±0.40	±2.50				D-
CENTER	±0.10	±0.50	±1.00					
ANGLER	±0.25°	±0.50°	±2.00°					