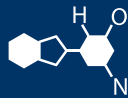


IF YOU...



MIX IT. FILL IT. PACK IT. SHIP IT.

WE HAVE A **PRODUCT** FOR YOU

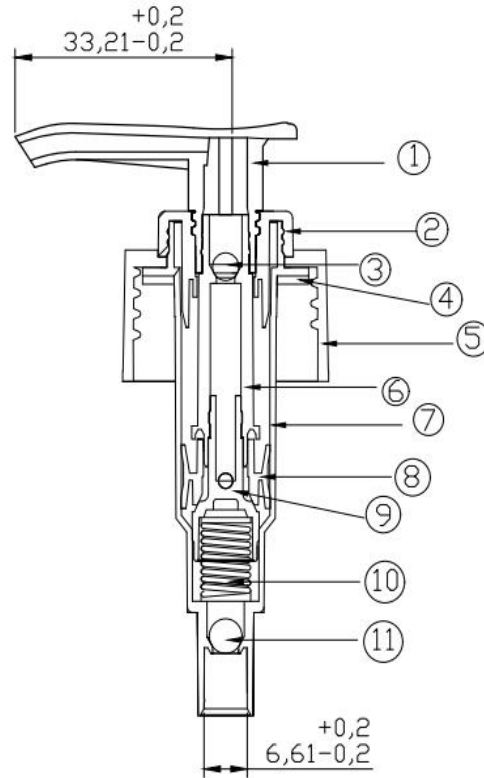
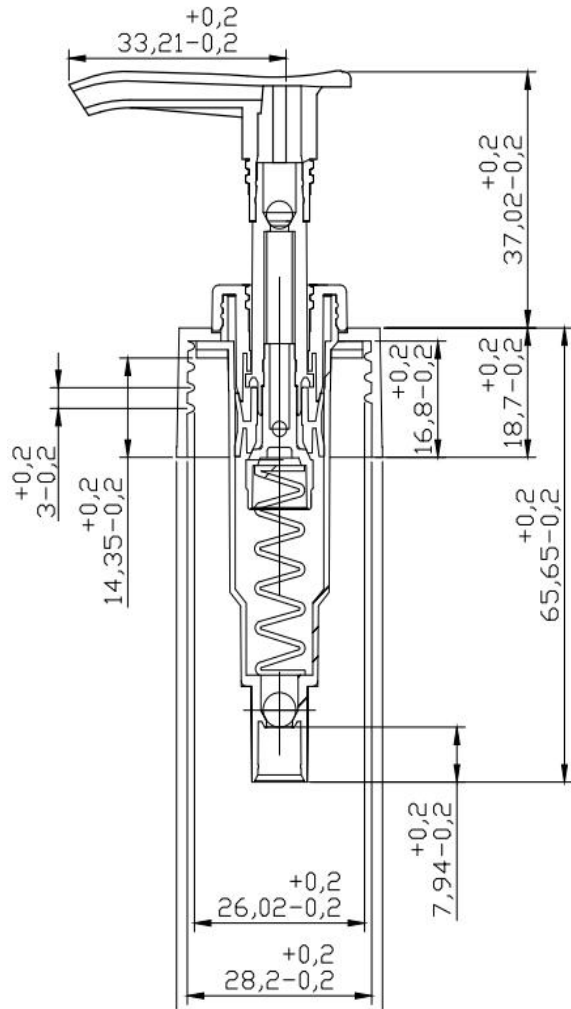
Part #30WP3N

Dispensing Pumps

0.06 oz. Natural Dispensing Pump, 7.55" Dip
Tube, 28mm 28-410



The
CARYCOMPANY
Est. 1895



Discharge Rate: 1.8 - 2.0ml/T

1	Actuator		(PP)
2	RETATNER		(PP)
3	BALL		(GLASS)
4	GASKET		(PE)
5	CLOSURE		(PP)
6	STEM		(PP)
7	HOUSING		(PP)
8	PISTON		(LDPE)
9	SUB-STEM		(PP)
10	Spring		SUS304
11	Ball		GLASS
Part	Parts Name	Drw.NO	Material
			MOLD NO: ACT600
			DRWG NO.:
			UNITS: mm
≤5mm	±0.15mm		
5mm-15mm	±0.30mm	DATE:2021.05.22	MAT' L:See BOM
15mm-30mm	±0.50mm	CHECKED BY:	WGT:
30mm-50mm	±0.80mm	A PPR.BY:	VIEW :
≥50mm	±1.20mm	SHEET:	REV:
			A