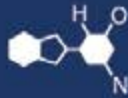


# IF YOU...



MIX IT. FILL IT. PACK IT. SHIP IT.

# WE HAVE A **PRODUCT** FOR YOU

Part #: 30WP5J

---

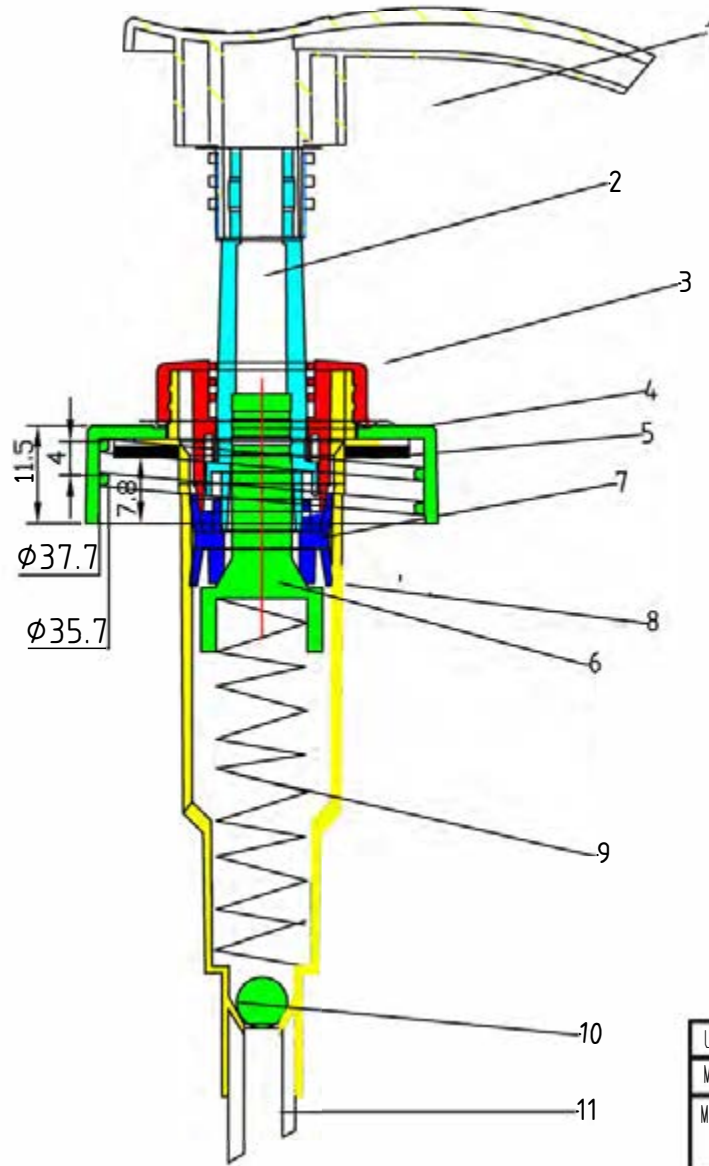
---



---

The  
**CARY**COMPANY  
Est. 1895

1195 W. Fullerton Ave. | Addison, IL 60101 | T: 630.629.6600 | F: 630.629.3690 |



Dosage 4CC  $\pm$  10%

1	PP
2	PP
3	PP
4	PP
5	PE
6	HDPE
7	LDPE
8	PP
9	STAINLESS STEEL
10	GLASS
11	PE

UNIT: MM		The CARY COMPANY EST. 1995	
MODEL: 1 / 1		TITLE: 30WP5J	
MODEL NAME:		DATE:	
MATERIAL:		NUMBER:	DATE:
PIECE MARK:		PAGE:	VERSION: