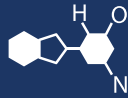


IF YOU...



MIX IT. FILL IT. PACK IT. SHIP IT.

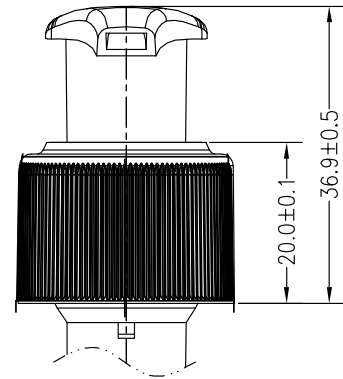
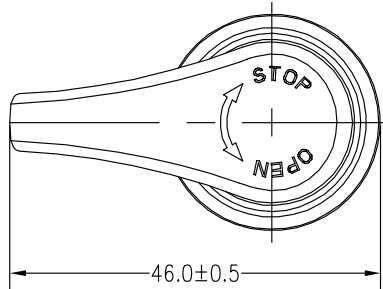
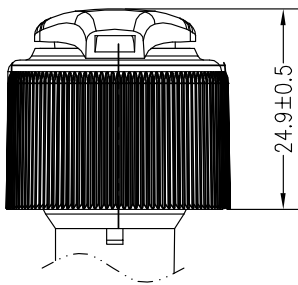
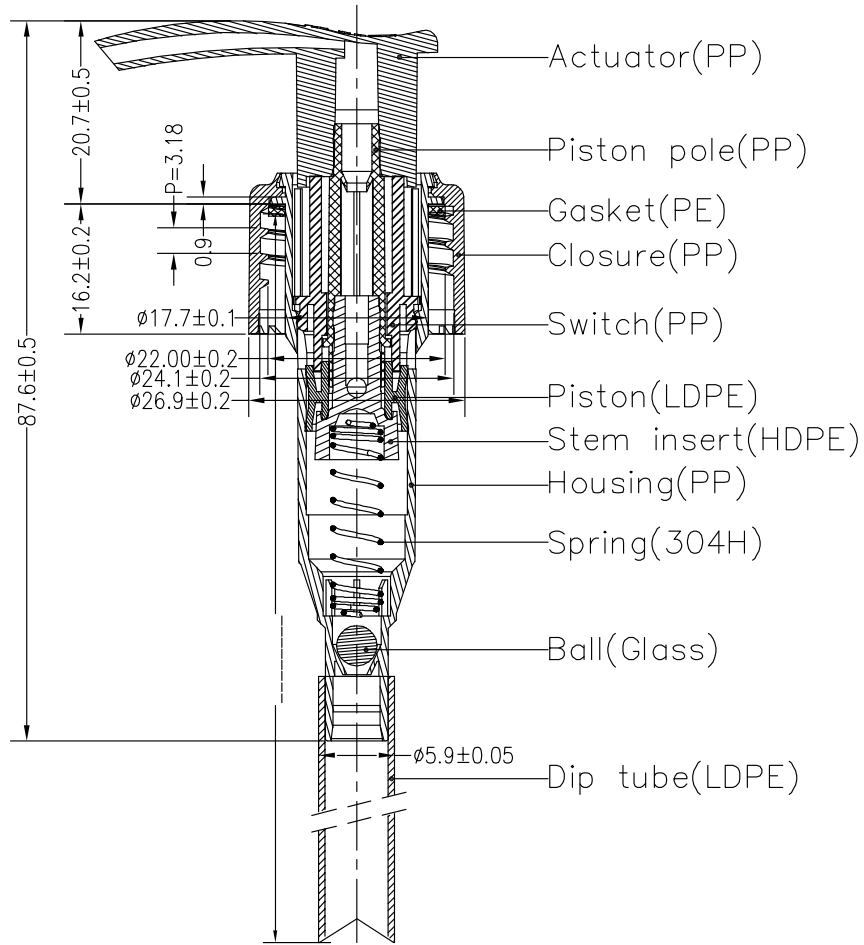
WE HAVE A **PRODUCT** FOR YOU

Part #: 30WP7C



The
CARYCOMPANY
Est. 1895

1195 W. Fullerton Ave. | Addison, IL 60101 | T: 630.629.6600 | F: 630.629.3690 |



编 码 PRODUCTOR NAME		03A-24/410		审定/ APPROVE	校对/ CHECK	设计 制图/ DRAW
模具编号: MOULD NO		重量: WEIGHT		比例 SCALE	第三视角: PROJECTION TYPE	
产品材料: PART MATERIAL		日 期: DATE		图纸 SIZE	单位: UNIT	
尺寸公差 TOLERANCES		收缩率: SHRINKAGE		页次: SHEET		THE THIRD ANGLE
0 ± 0.50	0.0 ± 0.10	0.00 ± 0.05	0.000 ± 0.005	1/1		
		角 度: ANGLES				
		$\pm 0.5^\circ$				