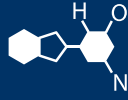


IF YOU...



MIX IT. FILL IT. PACK IT. SHIP IT.

WE HAVE A **PRODUCT** FOR YOU

Part # 30WP96



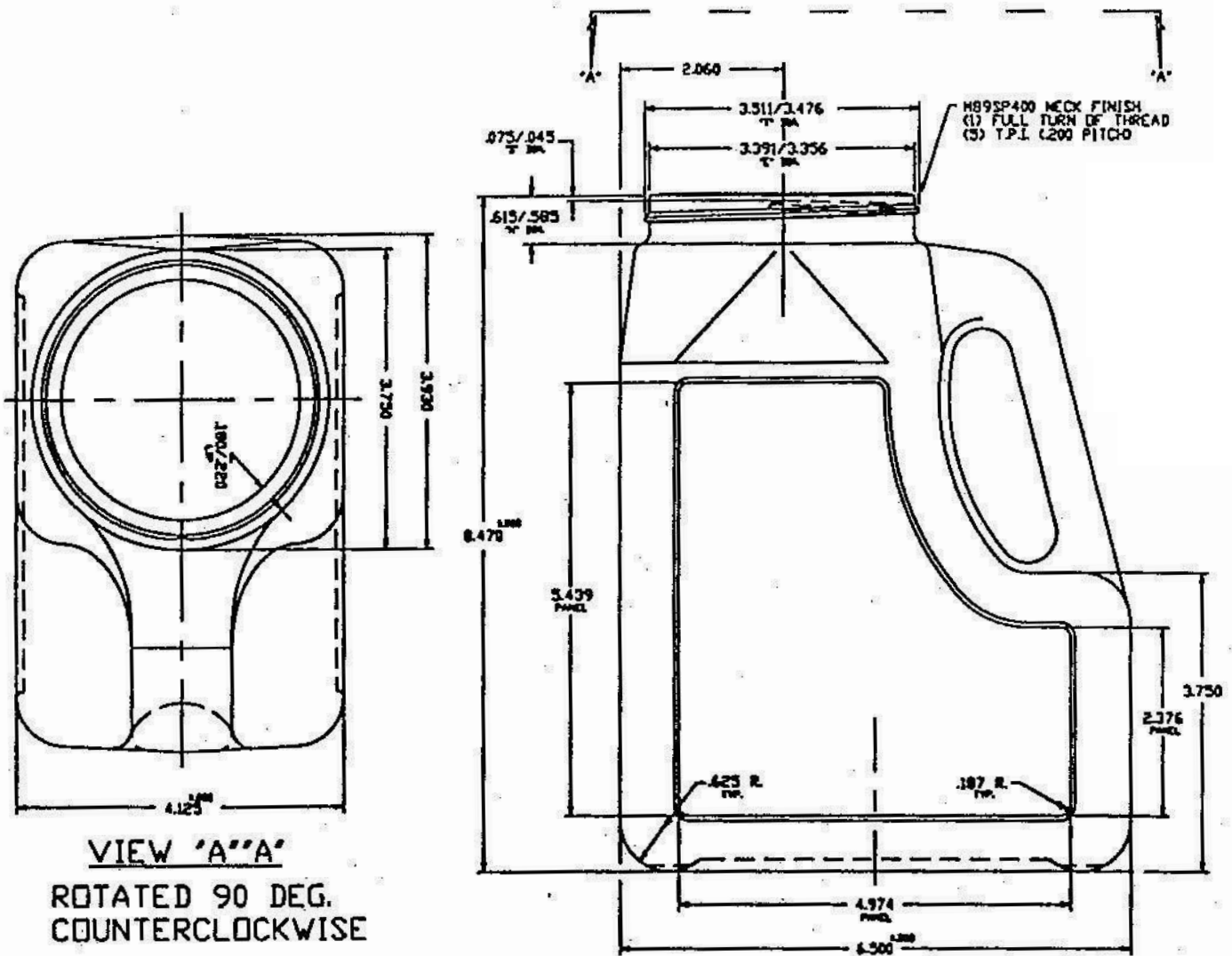
Supplied By: **The Cary Company**

Ph: 630-629-6600

www.thecarycompany.com

MOLD # 50020

DESC: 96 OZ. PREMIER



VIEW "A" A

ROTATED 90 DEG.
 COUNTERCLOCKWISE

MATERIAL TYPE	GRAM WEIGHT	NECK FINISH	OVER FLOW	CASE	PACK	48" TL QUANTITY	53" TL QUANTITY	PRODUCTION PLANT
CO. PET E15062	95	89SP400	103.0 OZ	BULK	80	17280	18200	