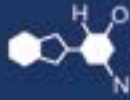


IF YOU...



MIX IT. FILL IT. PACK IT. SHIP IT.

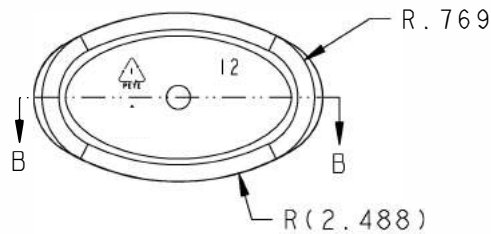
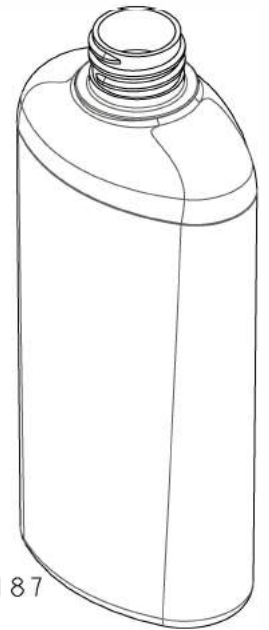
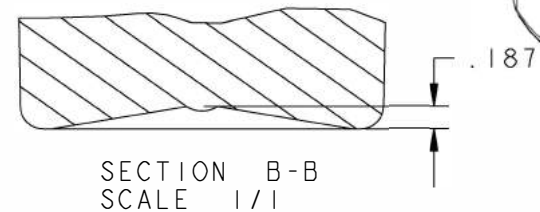
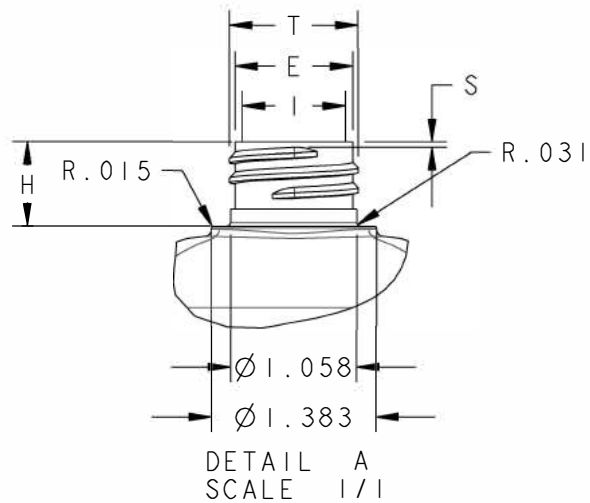
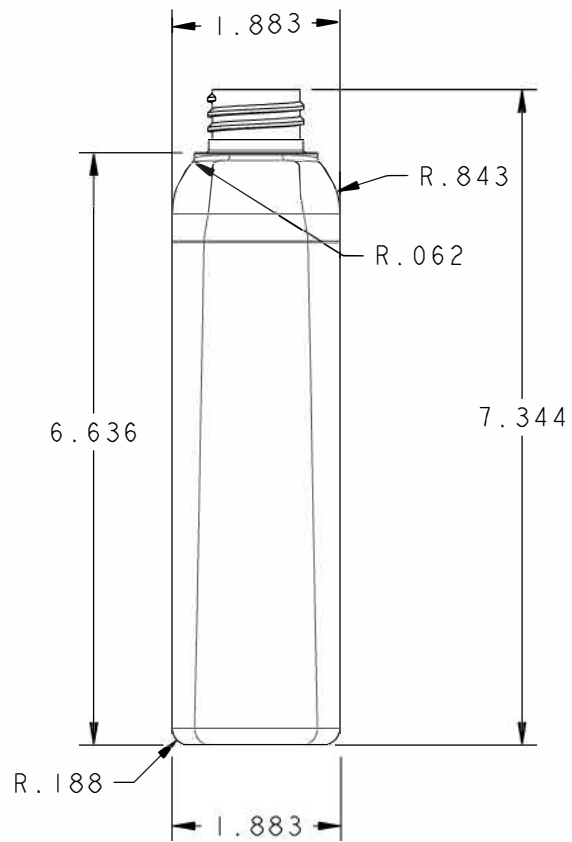
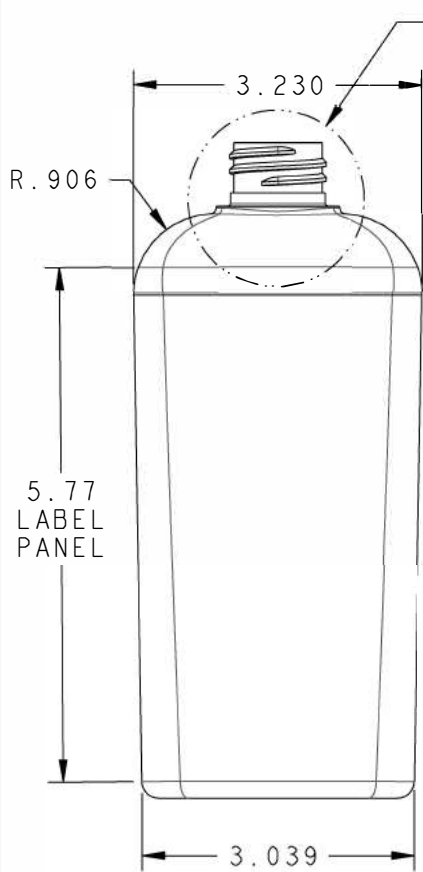
WE HAVE A **PRODUCT** FOR YOU

Part #: 30WPAB



The
CARYCOMPANY
Est. 1895

1195 W. Fullerton Ave. | Addison, IL 60101 | T: 630.629.6600 | F: 630.629.3690 |



| | | | | | | |
|--|---------|---|------------|----------------------------------|----------------|-----------|
| Neck Finish: M28SP410 | | DISCLAIMER: The Cary Company assumes no responsibility for form, fit and function of closures, accessories, and/or shelf life & compatibility of intended contents with this bottle. | | | | |
| All measurements are in inches, [Metric] | Min Thk | Color | Weight | Std. Pack | Revisions | |
| | .006 | All Colors | 37.5 Gms±1 | 168, Stack | | |
| Neck Dimensions: | | | | Tolerance: Where not shown | | |
| T = 1.078±.010 | | | | Decimal ±0.05 [1,27] | | |
| E = .984±.010 | | | | Angular ±1° | | |
| H = .708±.015 | | | | Material: PET | | |
| I = .864±.015 ∇.125 | | | | Approved By: SJenn | | |
| S = .046±.015 | | | | Drawing NO: 30WPAB | | |
| Overflow Capacity: 475 ml ± 11 | | | | The CARY COMPANY Est. 1905 | | |
| | | Scale: | | Drawn By: SCT | Date: 04-27-06 | |
| | | | | 450ml OVAL, VALE, PET, 28-410 CT | | DwgRev: - |