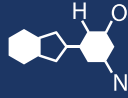


# IF YOU...



MIX IT. FILL IT. PACK IT. SHIP IT.

# WE HAVE A PRODUCT FOR YOU

Part #: 30WPB1

---

---

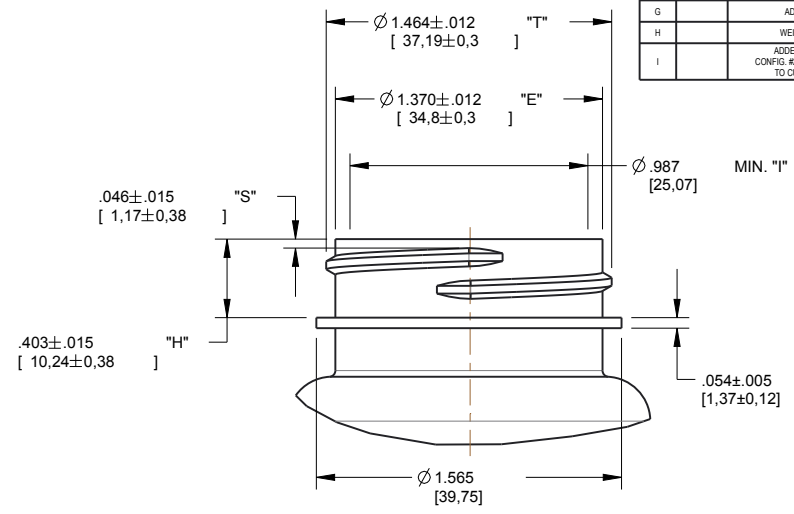
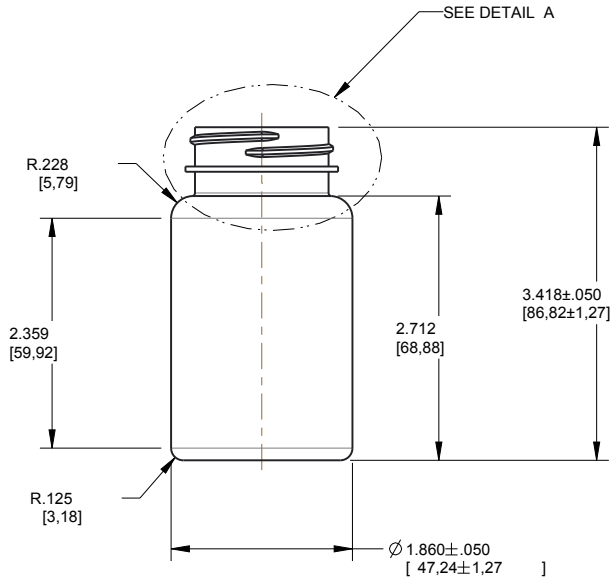


---

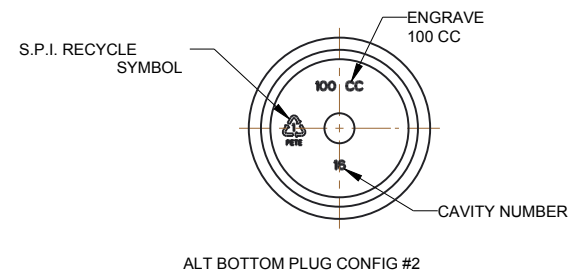
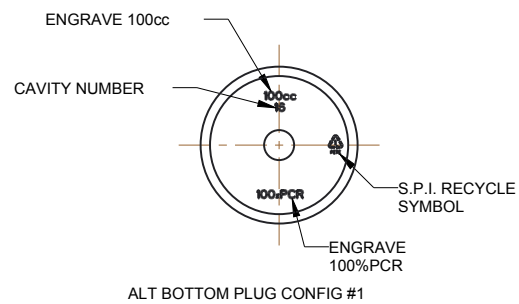
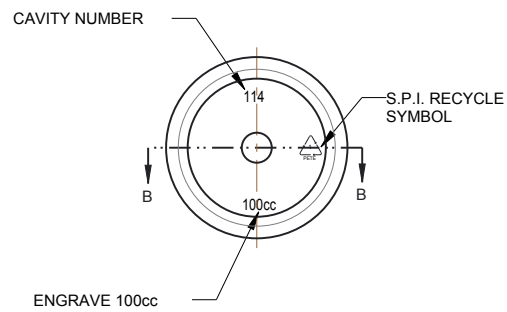
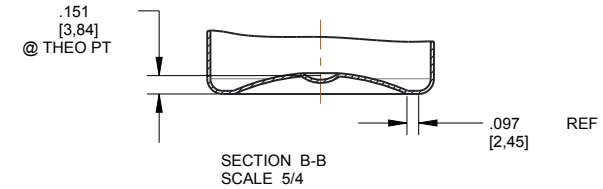
The  
**CARY**COMPANY  
Est. 1895

1195 W. Fullerton Ave. | Addison, IL 60101 | T: 630.629.6600 | F: 630.629.3690 |

REV	E.C.N.	DESCRIPTION	BY	DATE
F		ADDED METRIC	SCT	27-APRIL-10
G		ADDED ALT. CONFIG.	SCT	04-NOV-10
H		WEIGHT WAS: 1.0g	SCT	17-SEPT-13
I		ADDED ALT. BOTTOM PLUG CONFIG. #2 AND UPDATED DRAWING TO CURRENT STANDARDS	JAZ	01-FEB-18



DETAIL A  
L38-400 NECK FINISH  
6 T.P.I., 1 THREAD TURN  
.250 MIN. "I" DEPTH  
SCALE 2/1



DISCLAIMER: The Cary Company assumes no responsibility for form, fit and function of closures, accessories, and/or shelf life and compatibility of intended contents with this bottle.			
Specification General:	Min. Thk (in.)	Weight (g)	Overflow (mL)
All measurements are in inches, [mm]	.010	16± 3.0g	124± 5.0cc
	.010	21± 3.0g	119± 5.0cc
	.010	24± 3.0g	116± 5.0cc
Base engraving is subject to change location & size.			
Tolerance where not shown:	NECK FINISH:	L38-400	
Decimal ±0.05 [1.27] Angular ±1°	MATERIAL:	PET	
The CARY COMPANY Est. 1895		Scale: 1/1	NPD #: [ ]
100cc STRAIGHT SIDED		Drawn By: [ ]	Date: 25-JULY-00
Approved By: [ ]		Dwg/Rev: [ ]	
Drawing Number: [ ]		SJ 100PS1XX38L400	