

IF YOU...



MIX IT. FILL IT. PACK IT. SHIP IT.

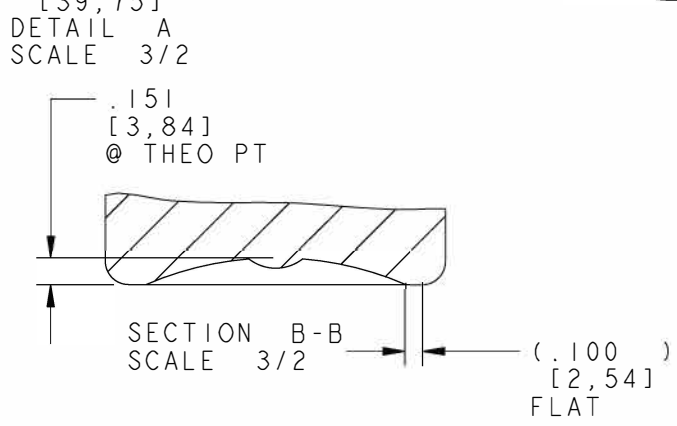
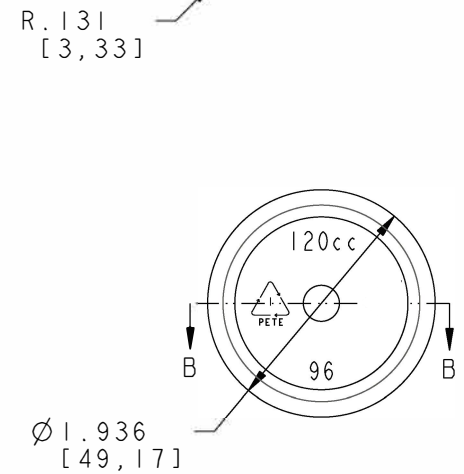
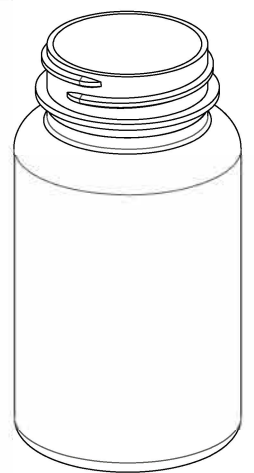
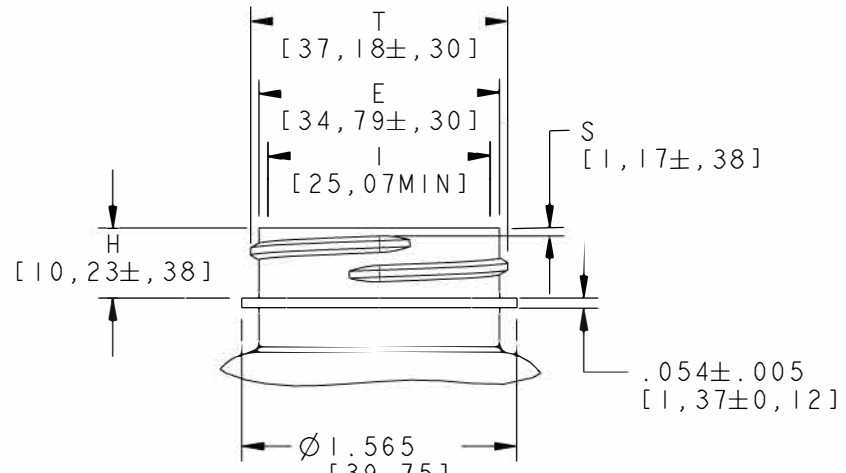
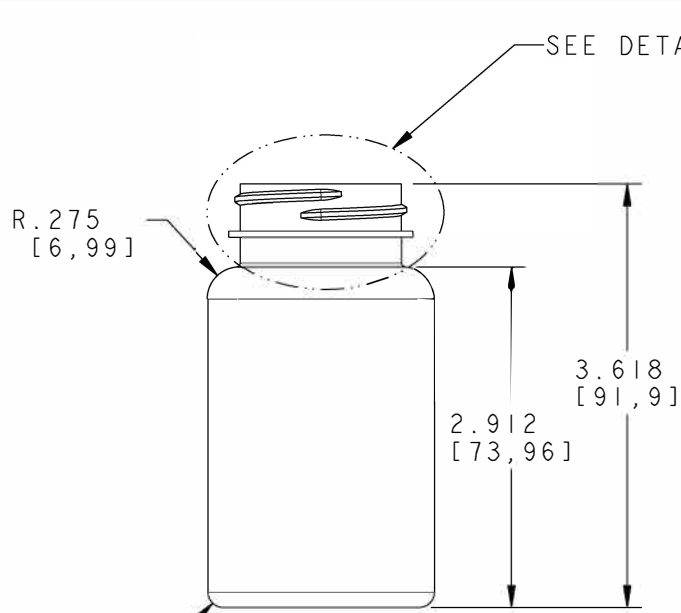
WE HAVE A PRODUCT FOR YOU

Part #: 30WPB2



The
CARYCOMPANY
Est. 1895

1195 W. Fullerton Ave. | Addison, IL 60101 | T: 630.629.6600 | F: 630.629.3690 |



DETAIL A
SCALE 3/2

SECTION B-B
SCALE 3/2

DISCLAIMER: The Cary Company assumes no responsibility for form, fit and function of closures, accessories, and/or shelf life and compatibility of intended contents with this			
	Color	Weight	Std. Pack
All measurements are in inches, [Metric]	.010L,25] All Colors	21 Gms±3	576, Stack
	.010L,25] All Colors Heavy Gram 150 P	24 Gms±3	450, Bulk
Neck Dimensions:			
	T = 1.464±.012		
	E = 1.370±.012		
	H = .403±.015		
	I = .987 MIN		
	S = .046±.015		
		Overflow Capacity: 142 ml ± 5	
		Material: PET	
		Tolerance: Where not shown Decimal ±0.05 [1,27] Angular ±1°	
		The CARY COMPANY Est. 1895	
		Scale: 1/1 Drawn By: SCT Date: 07-25-00	
		120cc PACKER, STRAIGHT SIDED, 38-400 CT, PET 120S38PET F	
		Approved By: SJ Drawing NO: 120PS1XX38L400	