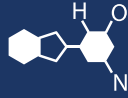


IF YOU...



MIX IT. FILL IT. PACK IT. SHIP IT.

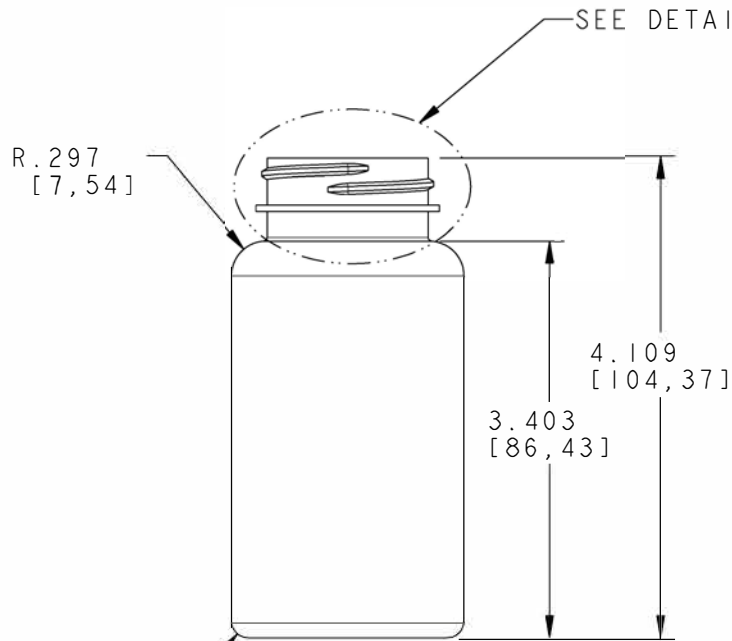
WE HAVE A **PRODUCT** FOR YOU

Part #: 30WPB3

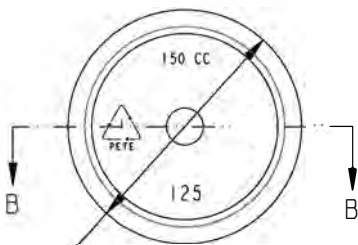


The
CARYCOMPANY
Est. 1895

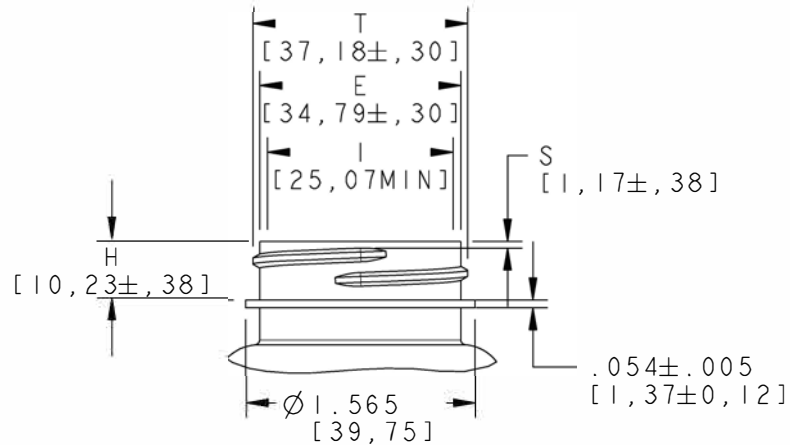
1195 W. Fullerton Ave. | Addison, IL 60101 | T: 630.629.6600 | F: 630.629.3690 |



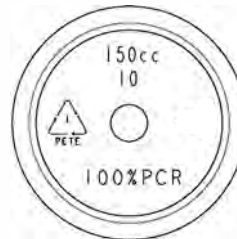
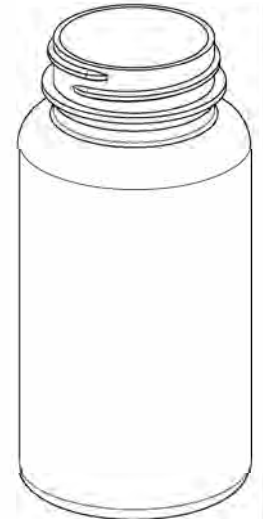
R.141 [3,58]



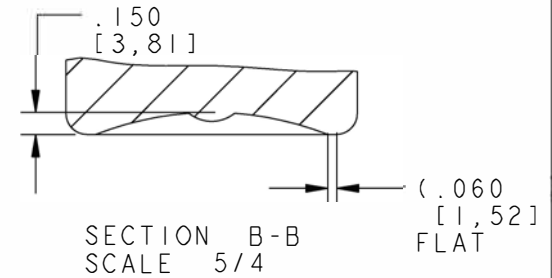
SEE DETAIL A



DETAIL A
SCALE 5/4



ALT BOTTOM PLUG CONFIG



SECTION B-B
SCALE 5/4

Neck Finish: L38SP400		DISCLAIMER: The Cary Company assumes no responsibility for form, fit and function of closures, accessories, and/or shelf life and compatibility of intended contents with this			
All measurements are in inches, [Metric]	Min Thk	Color	Weight	Std. Pack	Revisions
	.012 [1,30]	All Colors	21 Gms±3	410, Bulk	M Wt was 1.9/16/13, sct
	.012 [1,30]	All Colors Heavy Gram 200 P	24 Gms±3	410, Bulk	
Neck Dimensions:				Tolerance: Where not shown Decimal ±0.05 [1,27] Angular ±1°	
T = 1.464±.012				Material: PET	
E = 1.370±.012				150cc, STRAIGHT SIDED, PET, 38-400 CT	
H = .403±.015				Approved By: SJ	
I = 0.987 MIN				Drawing NO: 150S1XX38L400	
S = .046±.015		Overflow Capacity: 170 ml ± 6		DwgRev	

The **CARY COMPANY** EST. 1965

Scale: 1/1 Drawn By: SCT Date: 07-25-00

150S1XX38L400