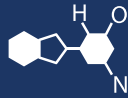


IF YOU...



MIX IT. FILL IT. PACK IT. SHIP IT.

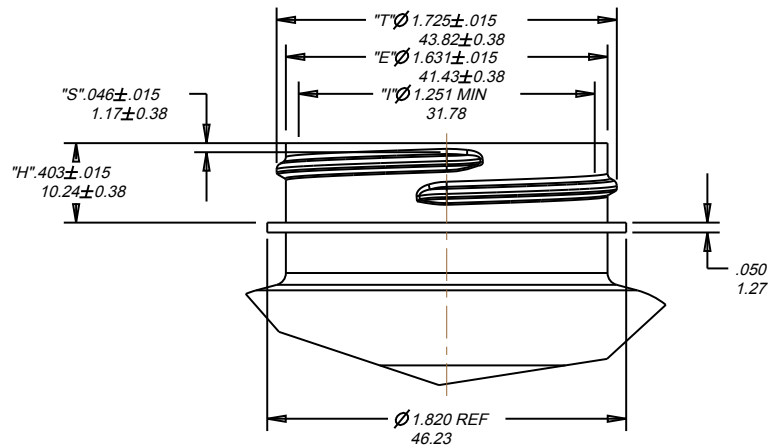
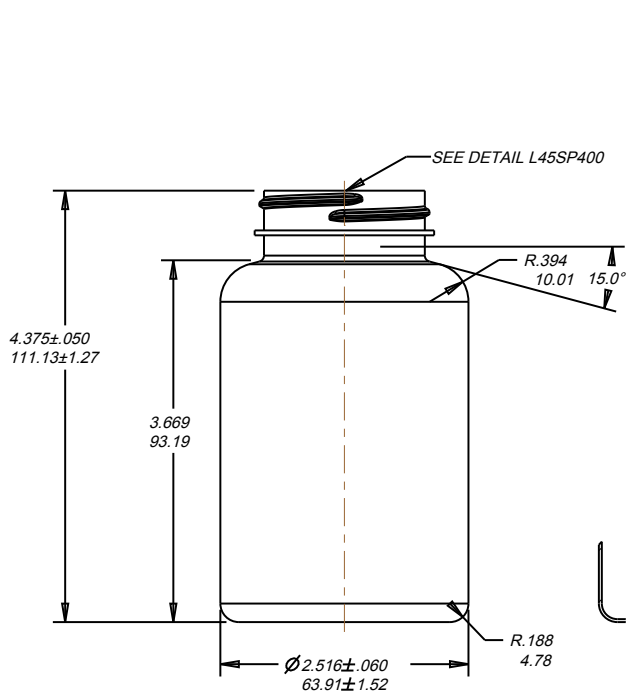
WE HAVE A PRODUCT FOR YOU

Part #: 30WPB7

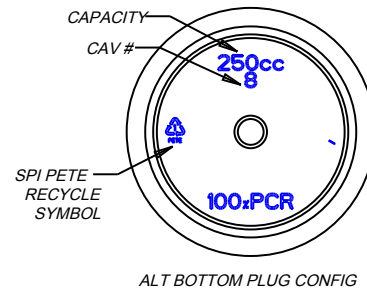
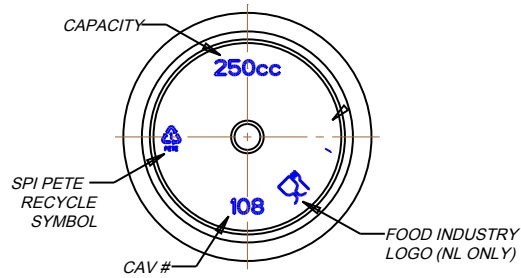
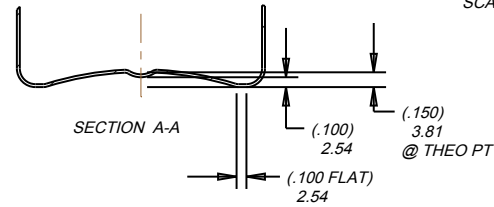


The
CARYCOMPANY
Est. 1895

1195 W. Fullerton Ave. | Addison, IL 60101 | T: 630.629.6600 | F: 630.629.3690 |



DETAIL L45SP400
6 TPI, 1 THREAD TURN
Ø.500" CUTTER
SCALE 2.000



NPD #								
All measurements are in inches, [mm]	Color	min. Thk (in)	Weight (g)	Overflow (mL)	Revisions		The CARY COMPANY Est. 1895	
	All Colors	.012[.30]	28.0± 3.0	292± 9	L	Grm wt was 34, 02-09-12, sct	Scale: 1.000	Drawn By: SCT Date: 07-25-00
	All Colors Heavy Gram 400 P	.012[.30]	37.0± 3.0	284± 9	M	GmWt tol was ± 1, 11/13/13, sct		DwgRev
	All Colors Heavy Gram	.012[.30]	33.0± 3.0	288± 9	N	Add Food Logo engraving for NL, 11-18-15 RAB		N
Tolerance: Where not shown	NECK FINISH	L45SP400			Approved By:		Drawing NO:	
Decimal ±0.05 [1.27] Angular ±1°	MATERIAL:	PET			SJ		250PS1X45L400	