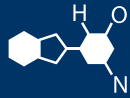


# IF YOU...



MIX IT. FILL IT. PACK IT. SHIP IT.

# WE HAVE A **PRODUCT** FOR YOU

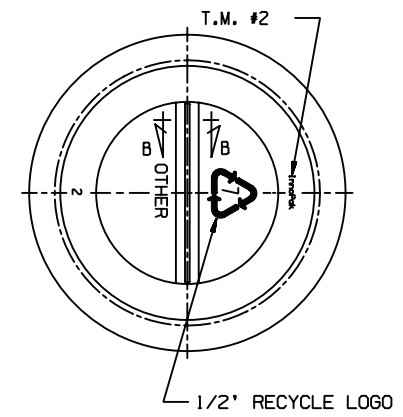
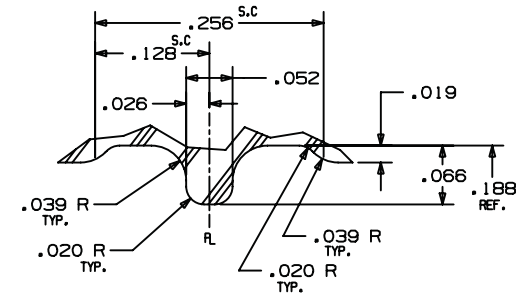
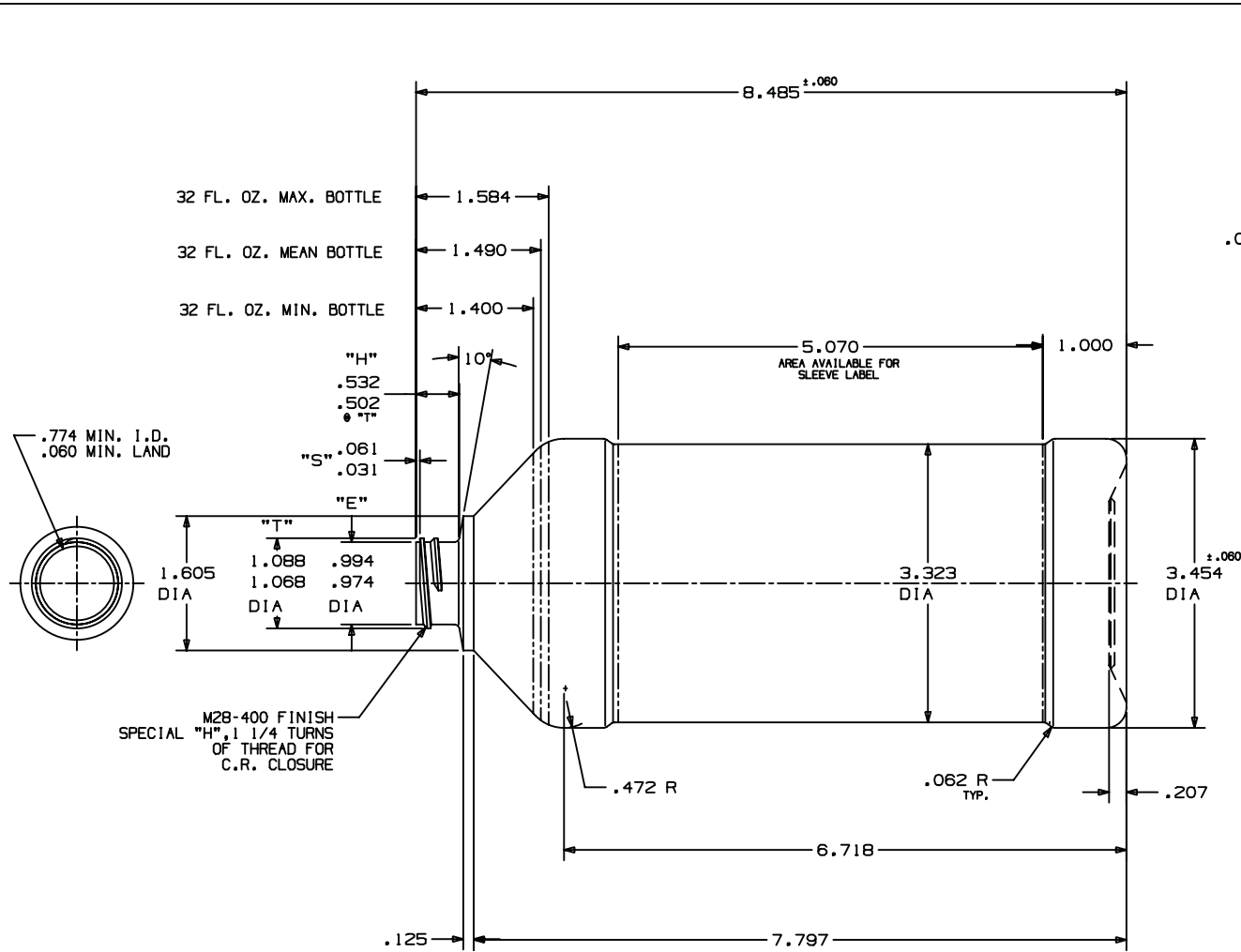
Part # 30WPBQ

---

32 oz. Brown Peroxide Modern Round Barrier  
Resin Bottle, 28mm 28-400

---





- NOTES :
- 1) OVERFLOW CAPACITY : 34.01 ± .51 FL.OZ.  
 (1005.7 ± 15.0 CC'S.)
  - 2) WEIGHT : 65.0 ± 3.5 GRAMS

The **CARY COMPANY**  
 Est. 1895

PH 630-629-6600 - FX 630-629-3690  
 1195 W. FULLERTON AVE. - ADDISON, IL 60101  
 WWW.THECARYCOMPANY.COM

K		28APR03	KENT
LTR	DESCRIPTION	DATE	APPROVED
REVISIONS			

2	HDM 77572
1	HNM 77997
CODE CHART	

DIMENSIONS SHOWN ARE: <input type="checkbox"/> AS MOLDED <input checked="" type="checkbox"/> AFTER TREAT <input type="checkbox"/> AFTER TREAT & DECO	DRAWN BY JAS	MATERIAL HDPE/NYLON	CUSTOMER
	DATE 2/12/88	QUOTE NO.	DESCRIPTION  32 FL. OZ. MODERN ROUND
	INFO.	LABEL DWG. NO.	
		REF. DWG. NO. MC-9-9587-A	
	CAD UG	TOOLING NO. TD31-10459	
	SCALE FULL	CODE NO. SEE CHART	
		SURF. AREA	DRAWING NO.    MC-9-9785-K