

IF YOU...



MIX IT. FILL IT. PACK IT. SHIP IT.

WE HAVE A PRODUCT FOR YOU

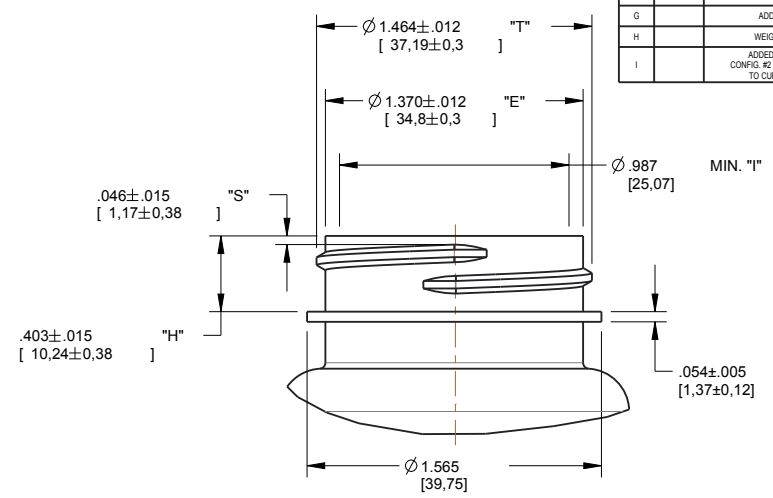
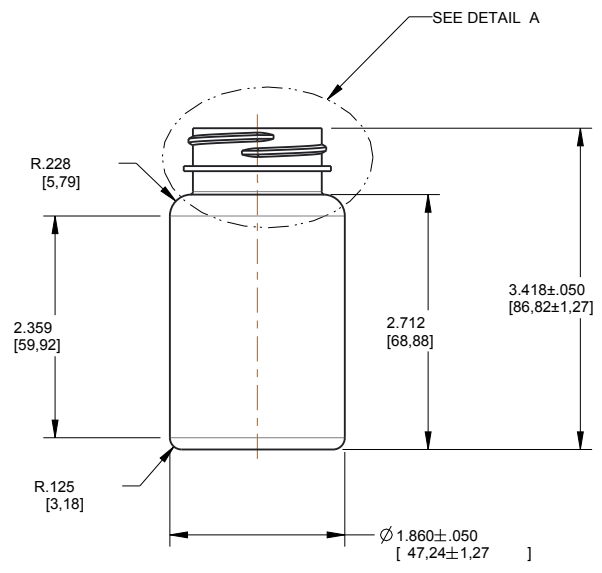
Part #: 30WPG1



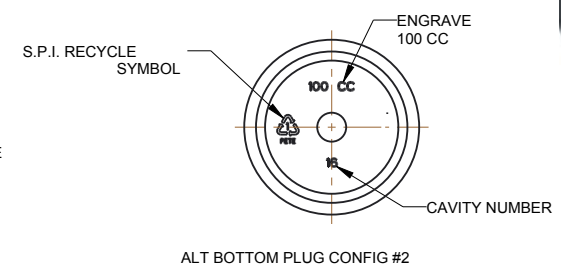
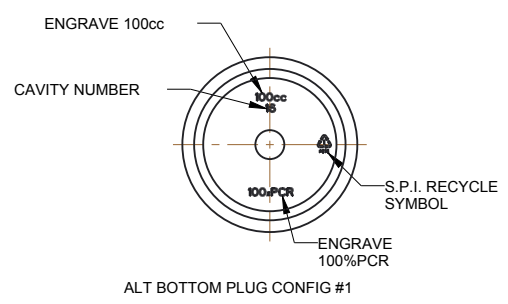
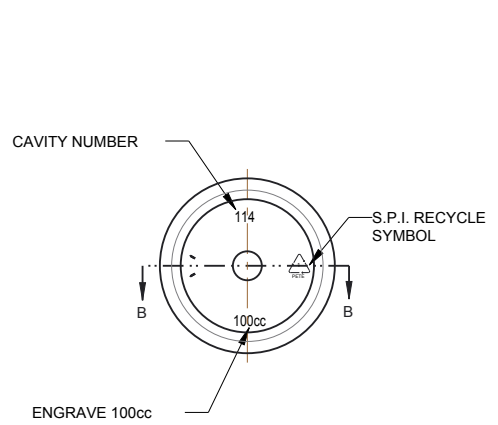
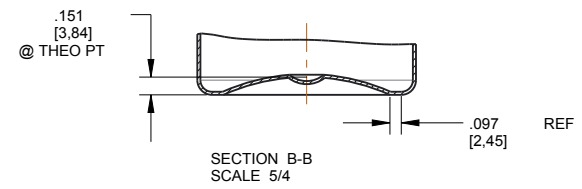
The
CARYCOMPANY
Est. 1895

1195 W. Fullerton Ave. | Addison, IL 60101 | T: 630.629.6600 | F: 630.629.3690 |

REV	E.C.N.	DESCRIPTION	BY	DATE
F		ADDED METRIC	SCT	27-APRIL-10
G		ADDED ALT. CONFIG.	SCT	04-NOV-10
H		WEIGHT WAS 1.0g	SCT	17-SEPT-13
I		ADDED ALT. BOTTOM PLUG CONFIG. #2 AND UPDATED DRAWING TO CURRENT STANDARDS	JAZ	01-FEB-18



DETAIL A
L38-400 NECK FINISH
6 T.P.I., 1 THREAD TURN
.250 MIN. "I" DEPTH
SCALE 2/1



©				DISCLAIMER: The Cary Company assumes no responsibility for form, fit and function of closures, accessories, and/or shelf life and compatibility of intended contents with this bottle.		
Specification General:	Min. Thk (in.)	Weight (g)	Overflow (mL)	The CARY COMPANY Est. 1895		
All measurements are in inches, [mm]	.010	16±. 3.0g	124±. 5.0cc	Scale:	NPD #:	Drawn By:
	.010	21±. 3.0g	119±. 5.0cc	111		SCT
	.010	24±. 3.0g	116±. 5.0cc			25-JULY-00
Base engraving is subject to change location & size.				Dwg/Rev		
Tolerance where not shown:	NECK FINISH:	L38-400		100cc STRAIGHT SIDED		
Decimal ±0.05 [1.27] Angular ±1°	MATERIAL:	PET		Approved By:	Drawing Number:	
				SJ 100PS1XX38L400		