

# IF YOU...



MIX IT. FILL IT. PACK IT. SHIP IT.

# WE HAVE A PRODUCT FOR YOU

Part #: 30WPG7

---

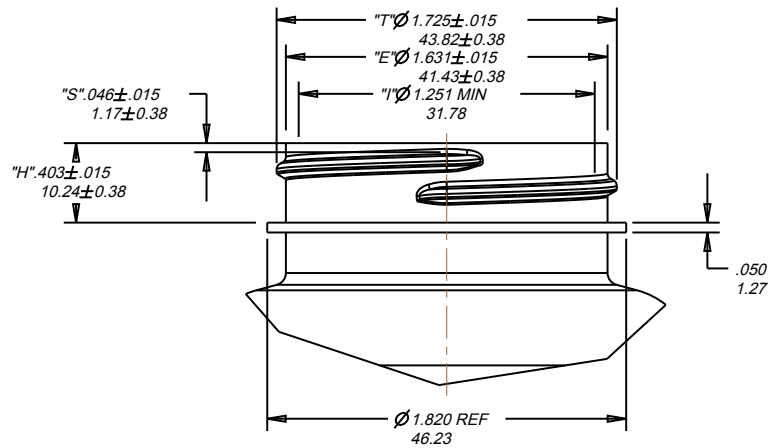
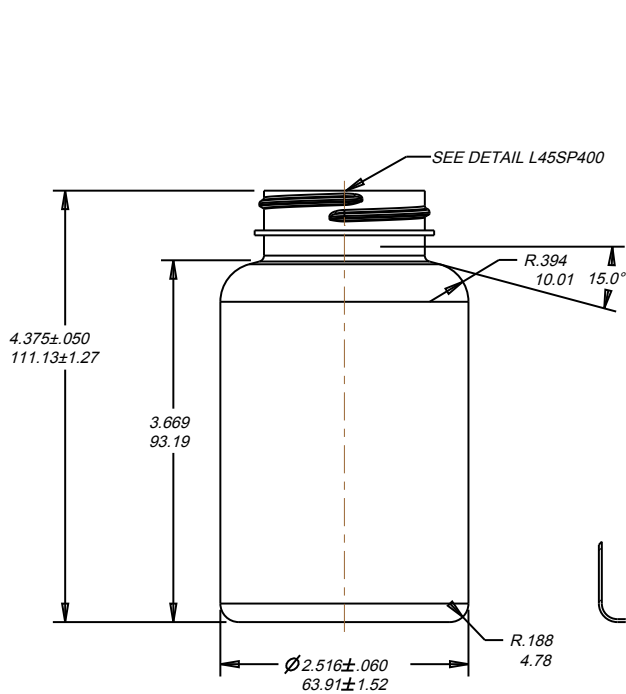
---



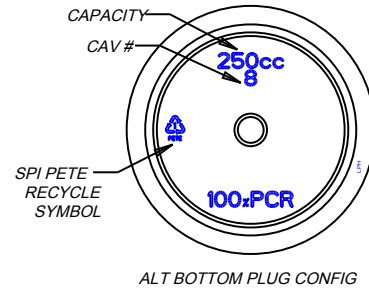
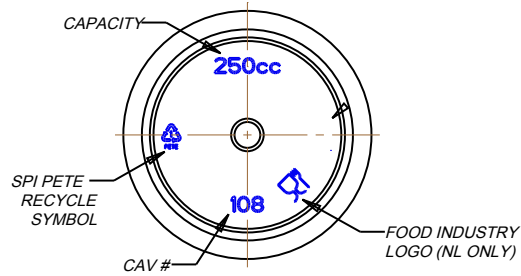
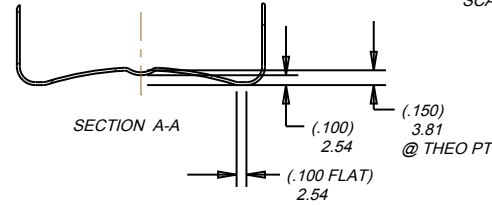
---

The  
**CARY**COMPANY  
Est. 1895

1195 W. Fullerton Ave. | Addison, IL 60101 | T: 630.629.6600 | F: 630.629.3690 |



DETAIL L45SP400  
6 TPI, 1 THREAD TURN  
Ø.500" CUTTER  
SCALE 2.000



The **CARY** COMPANY  
Est. 1895

NPD #						
All measurements are in inches, [mm]	Color	min. Thk (in)	Weight (g)	Overflow (mL)	Revisions	
	All Colors	.012[.30]	28.0± 3.0	292± 9	L	Grm wt was 34, 02-09-12, sct
	Heavy Gram 400 P	.012[.30]	37.0± 3.0	284± 9	M	GrmWt tol was ± 1, 11/13/13, sct
	All Colors Heavy Gram	.012[.30]	33.0± 3.0	288± 9	N	Add Food Logo engraving for NL, 11-18-15 RAB
Tolerance: Where not shown	NECK FINISH	L45SP400			Scale: 1.000	Drawn By: SCT Date: 07-25-00
Decimal ±0.05 [1.27] Angular ±1°	MATERIAL:	PET			250 CC, STRAIGHT SIDED, PET 45-400 CT 250S45PET	DwgRev N
					Approved By:	Drawing NO:
					SJ	250PS1X45L400