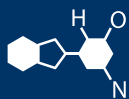


IF YOU...



MIX IT. FILL IT. PACK IT. SHIP IT.

WE HAVE A **PRODUCT** FOR YOU

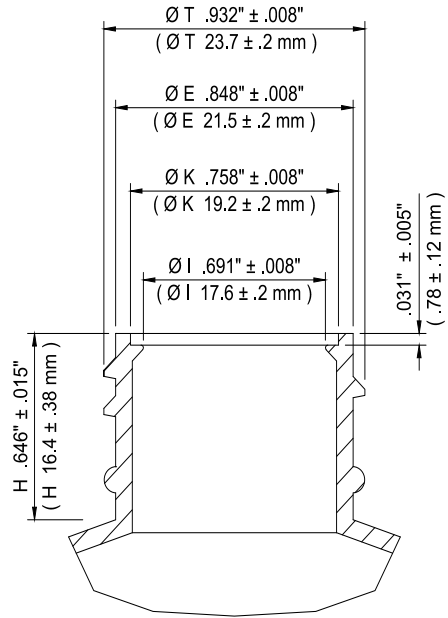
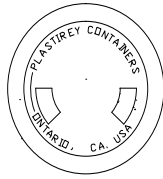
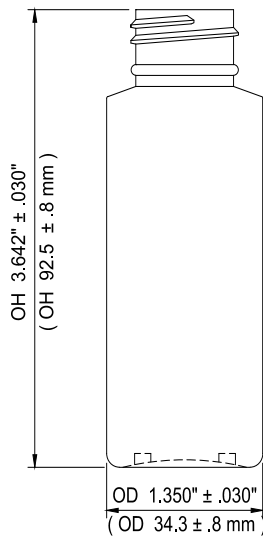
Part #30WPN2

Plastic Cylinder Bottles

2 oz. Natural HDPE Plastic Cylinder Bottle,
24mm 24-410, 7.8 Grams



The
CARYCOMPANY
Est. 1895



Material : HDPE, LDPE

Mfg. Process	IBM	Case Pack	1000 Pcs.
Height (OH)	3.642" (92.5mm)	Case Dimension	27" x 18" x 19"
Diameter (OD)	1.350" (34mm)	Case Weight	22 Lb (10 Kg)
Overflow	2.33 ± .1 oz. (69 ± 3ml)	Pallet Pack	25 Boxes
Gram Weight	8.6 ± 1.5 gr.	Pallet Dimension	54" x 45" x 101"
Neck Finish	24 / 410	Pallet Weight	577 Lb (262 Kg)
Max. Print Area (Height)	2.545" (65mm)	Pallet / 53' TL	23 Pallets
Max. Print Area (Width)	3.991" (101mm)	Freight Class	150

**2 oz. 24 / 410
Cylinder
Round Bottle**

Part # : 02C24

Dwg. #

PLA-S-506

Rev.

A

No portion of this drawing may be reproduced without express written permission of Plastirey Containers. Specifications subject to change without notice.