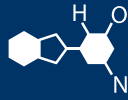


IF YOU...



MIX IT. FILL IT. PACK IT. SHIP IT.

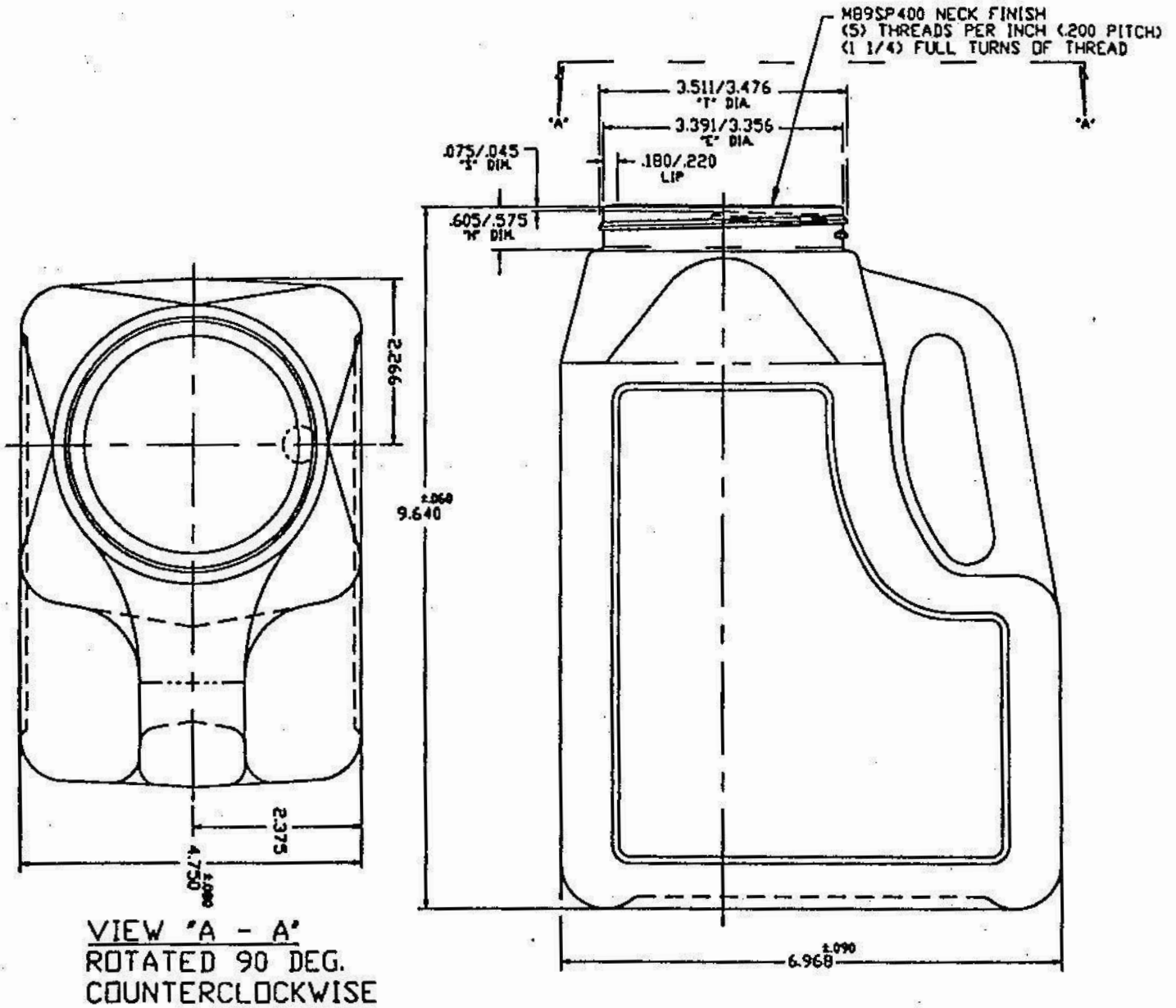
WE HAVE A PRODUCT FOR YOU

Part # 30WPOG



Supplied By: **The Cary Company**
 Ph: 630-629-6600
 www.thecarycompany.com

MOLD # 50024
 DESC: 128 OZ. PREMIER



MATERIAL TYPE	GRAM WEIGHT	NECK FINISH	OVER FLOW	CASE	PACK	48' T/L QUANTITY	53' T/L QUANTITY	PRODUCTION PLANT
CO. REF EBC02	130	89SP400	138.85 OZ	BULK	60	12960	14400	KANSAS CITY